



# CKB CONNECTORS

**MIL-C-5015 REVERSE BAYONET POWER AND SIGNAL CONNECTORS FOR HARSH ENVIRONMENTAL APPLICATIONS**







## Introducing CKB Connector Series

CKB Connectors are designed to be compatible and intermateable with VG95234 Series (MIL-C-5015 Series with Bayonet Coupling System).

Very robust, high resistance plating and good electrical performances make CKB suitable for severe environmental conditions, where long life and high reliability is required.

CKB Series offers a large range of solutions and can be easily modified for specific customer's needs, that is important for industrial applications, continuously in evolution.

## Main Characteristics

- Contacts from 18 to 0 AWG (0,25 - 50 mm<sup>2</sup>)
- Backshell and clamp for round cables and conduit
- Environmental Solutions (IP67 - IP68)
- Safe and easy coupling system
- Long term reliability. No maintenance
- Wide temperature range
- High electrical performance
- RoHS compliant
- Intermateable and interchangeable with Veam CIR, ITT Cannon CA-B and all VG95234 connectors compliant
- Customized solution available

1

### Industrial



### Railway



### Military



## Technical Data

### Material and Platings

COMPONENT	MATERIAL	FINISH
Contacts	Copper Alloy	Silver plated (standard) Gold plated (optional)
Insulator	Polichloroprene -55 + 125°C (standard) Fire Resistant Elastomer (optional)	None
Shells, Coupling Nut, Backshells	Aluminum Alloy (standard) Stainless Steel (optional)	Bright Nickel Black Zinc-Nickel Bright Zinc-Nickel None

1

#### T50 - Bright Nickel

RoHS Compliant



#### T51 - Black Zinc-Nickel

RoHS Compliant



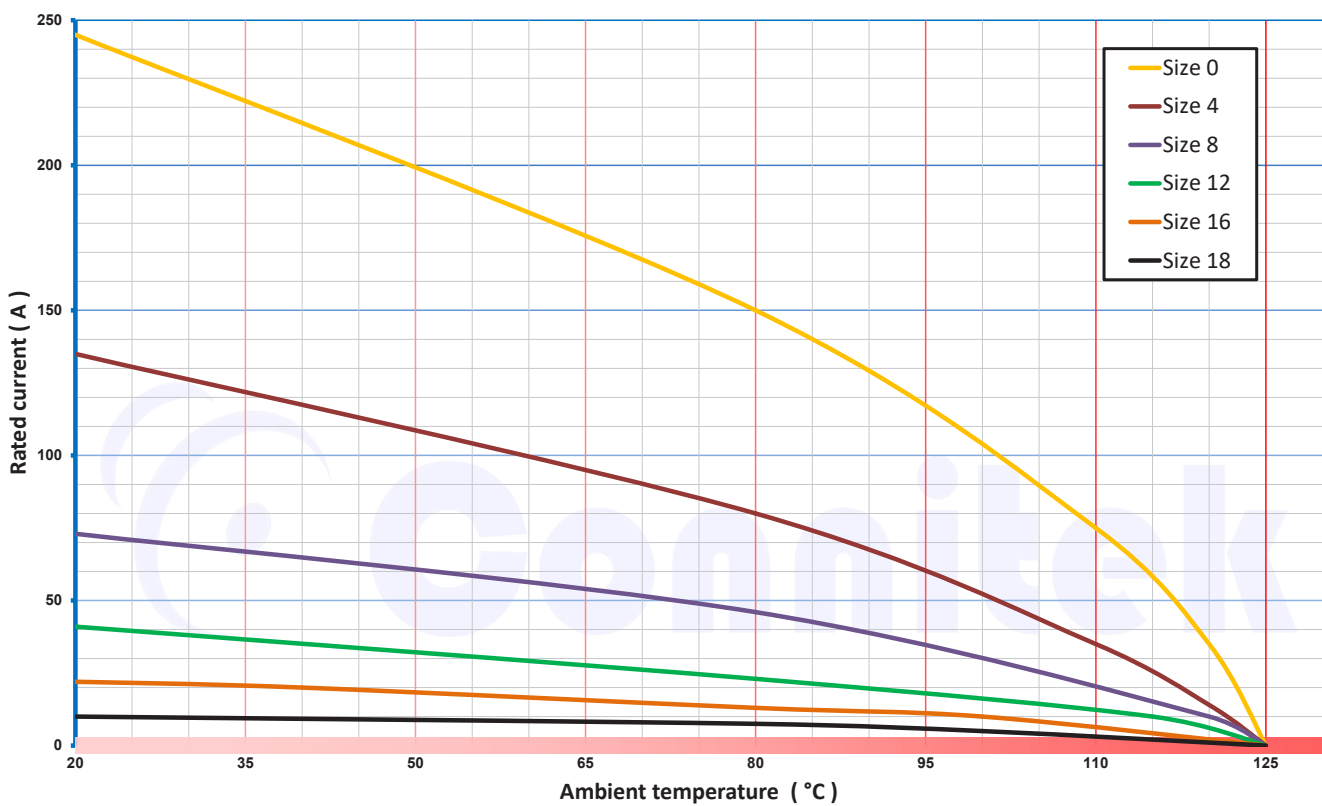
#### T57 - Bright Zinc-Nickel

RoHS Compliant



## Contacts

Contact Size	Rated Current at 20°C	Rated Current at 80°C	Max Contact Resistance	Wire Size
18	10 A	7.5 A	12.0 mΩ	18÷26 AWG
16	22 A	13 A	6.0 mΩ	16÷22 AWG
12	41 A	23 A	3.0 mΩ	12-14 AWG
8	73 A	46 A	1.0 mΩ	8-10 AWG
4	135 A	80 A	0.5 mΩ	4-6 AWG
0	245 A	150 A	0.3 mΩ	0÷2 AWG



1

## Insulator Service Rating

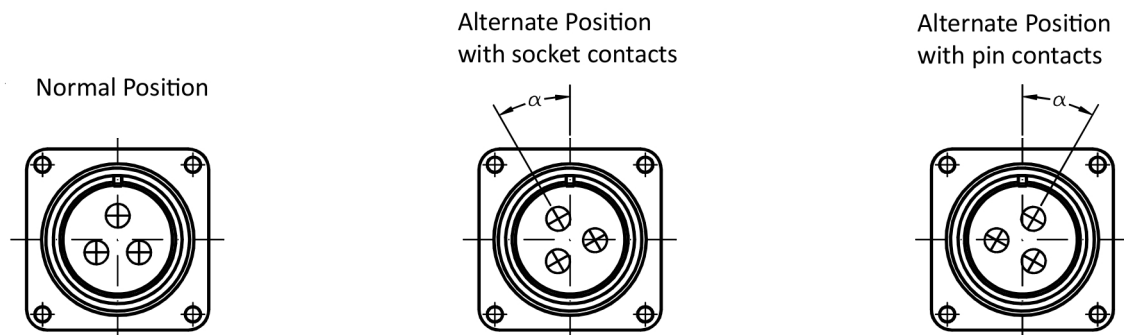
Class	Operating Voltage Vdc	Operating Voltage Vac RMS	Test Voltage Vac RMS
INST.	250 V	200 V	1000 V
A	700 V	500 V	2000 V
D	1250 V	900 V	2800 V
E	1750 V	1250 V	3500 V
B	2450 V	1750 V	4500 V
C	4200 V	3000 V	7000 V

## Insert Arrangements

INSERT ARRANGEMENT	SERVICE RATING	CONTACT NUMBER	CONTACT SIZE					ALTERNATE POSITION - DEGREE			
			0	4	8	12	16	W	X	Y	Z
10SL-3	A	3					3				
10SL-4	A	2					2				
14S-2	I	4					4		120	240	
14S-5	I	5					5		110		
14S-6	I	6					6	90			
14S-7	A	3					3	90	180	270	
14S-9	A	2					2	70	145	215	290
14S-A7	I	7					7				
16S-1	A	7					7	80			280
16S-4	D	2					2	35	110	250	325
16S-5	A	3					3	70	145	215	290
16S-8	A	5					5		170	265	
16-7	A	3			1		2	80	110	250	280
16-9	A	4				2	2	35	110	250	325
16-10	A	3				3		90	180	270	
16-11	A	2				2		35	110	250	325
16-12	A	1		1							
18-1	I	10					10	70	145	215	290
18-3	D	2				2		35	110	250	325
18-4	D	4					4	35	110	250	325
18-6	D	1		1							
18-06	A	6				4	2		180		
18-8	A	8				1	7	70			290
18-9	I	7				2	5	80	110	250	280
18-10	A	4				4			120	240	
18-11	A	5				5			170	265	
18-12	A	6					6	80			280
18-19	A	10					10		120	240	
18-22	D	3					3	70	145	215	290
20-2	D	1	1								
20-3	D	3				3		70	145	215	290
20-4	D	4				4		45	110	250	
20-6	D	3				3		70	145	215	290
20-7	A	8					8	80	110	250	280

1

### Insert Arrangements Alternate Position



\* For all non-standard insert arrangements, please contact the factory

## Insert Arrangements

INSERT ARRANGEMENT	SERVICE RATING	CONTACT NUMBER	CONTACT SIZE					ALTERNATE POSITION - DEGREE			
			0	4	8	12	16	W	X	Y	Z
20-11	I	13					13				
20-15	A	7				7		80			280
20-17	A	6				5	1	90	180	270	
20-18	A	9				3	6	35	110	250	325
20-19	A	3			3			90	180	270	
20-21	A	9				1	8	35	110	250	325
20-22	A	6			3		3	80	110	250	280
20-23	A	2			2			35	110	250	325
20-24	A	4			2		2	35	110	250	325
20-27	A	14					14	35	110	250	325
20-29	A	17					17	80			280
20-33	A	11					11				280
20-A48	I	19					19		80	220	
22-1	D	2			2			35	110	250	325
22-2	D	3			3			70	145	215	290
22-4	A	4			2	2		35	110	250	325
22-5	D	6				2	4	35	110	250	325
22-7	E	1	1								
22-9	E	3				3		70	145	215	290
22-12	D	5			2		3	80	110	250	280
22-14	A	19					19	80	110	250	280
22-19	A	14					14	80	110	250	280
22-21	A	3	1				2	80	110	250	280
22-22	A	4			4				110	250	
22-23	A	8				8		35		250	
22-28	A	7				7		80			280
24-2	D	7				7		80			280
24-5	A	16					16	80	110	250	280
24-6	A	8				8		80	110	250	280
24-06	D	6			4		2	40			320
24-7	A	16				2	14	80	110	250	280
24-07	D	7				7			80		280
24-9	A	2		2				35	110	250	325
24-10	A	7			7			80			280
24-11	A	9			3	6		35	110	250	325
24-19	A	12					12				

1

\* For all non-standard insert arrangements, please contact the factory

INSERT ARRANGEMENT	SERVICE RATING	CONTACT NUMBER	CONTACT SIZE						ALTERNATE POSITION - DEGREE			
			0	4	8	12	16	18	W	X	Y	Z
24-12	A	5		2		3			80	110	250	280
24-20	D	11				2	9		80	110	250	280
24-22	D	4			4				45	110	250	
24-A25	A	25					25		80	110	250	280
24-27	E	7					7		80			280
24-28	I	24					24		80	110	250	280
24-A28	I	28					28		65	146	235	
28-1	A	9			3	6			80	110	250	280
28-2	D	14				2	12		35	110	250	325
28-3	E	3			3				70	145	215	290
28-6	D	3		3					70	145	215	290
28-9	D	12				6	6		80	110	250	280
28-A9	A	9		4			5		110	250	260	280
28-10	A	7		2	2	3			80	110	250	280
28-11	A	22				4	18		80	110	250	280
28-12	A	26					26		90	180	270	
28-15	A	35					35		80	110	250	280
28-16	A	20					20		80	110	250	280
28-18	I	12					12		70	145	215	290
28-20	A	14				10	4		80	110	250	280
28-21	A	37					37		80	110	250	280
28-22	D	6		3			3		70	145	215	290
28-51	D	12				12			80	135	195	
32-1	D	5	2			3			80	110	250	280
32-2	E	5		3			2		70	145	215	290
32-5	D	2	2						35	110	250	325
32-6	A	23		2	3	2	16		80	110	250	280
32-7	I	35				7	28		80	125	235	280
32-8	A	30				6	24		80	125	235	280
32-9	D	14		2			12		80	110	250	280
32-13	D	23				5	18		80	110	250	280
32-013	D	13				13			65	130	230	295
32-15	D	8	2			6			35	110	250	280
32-17	D	4		4					45	110	250	
32-A55	A	54					55		80	110	250	280
32-22	A	55					55		80	110	250	280
32-59	A	42			2		40		36	108	252	324
32-68	A	16		4			12		65	135	225	275
36-3	D	6	3			3			70	145	215	290
36-5	A	4	4							120	240	
36-7	A	47				7	40		80	110	250	280
36-9	A	31		1	2	14	14		80	125	235	280
36-10	A	48					48		80	125	235	280
36-15	A	35					35		60	125	245	305
40-9	A	47			1	22	24		65	125	225	310
40-35	D	35				35			70	130	230	290
40-53	A	60					60		80	110	250	280
40-56	A	31					85		72	144	216	288
40-A150	I	150						150				

1

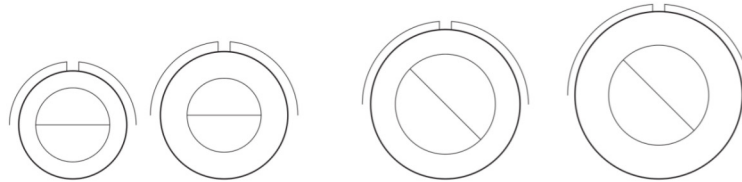


## Front View of Pin Inserts

### Contact Size Legend

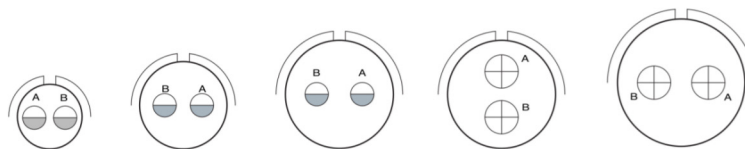


### 1 CONTACT

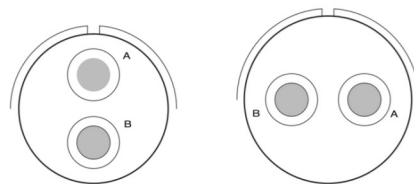


ARRANGEMENT	16-12	18-6	20-2	22-7
NO. OF CONTACTS	1	1	1	1
CONTACT SIZE	4	4	0	0
SERVICE RATING	A	D	D	E

### 2 CONTACTS



ARRANGEMENT	10SL-4	14S-9	16S-4	16-11	18-3
NO. OF CONTACTS	2	2	2	2	2
CONTACT SIZE	16	16	16	12	12
SERVICE RATING	A	A	D	A	D



ARRANGEMENT	20-23	22-1
NO. OF CONTACTS	2	2
CONTACT SIZE	2-8	2-8
SERVICE RATING	A	D

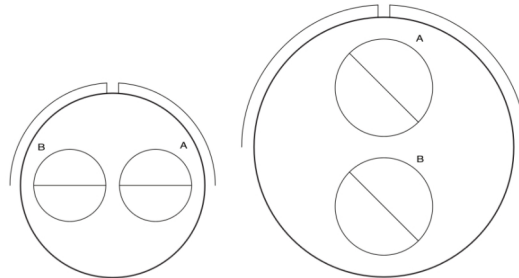
1

## Front View of Pin Inserts

## Contact Size Legend

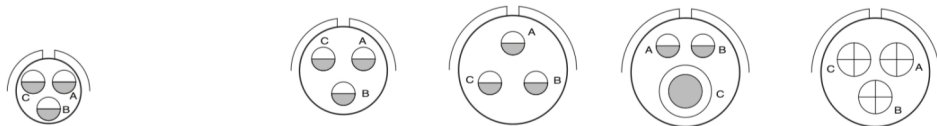


## 2 CONTACTS

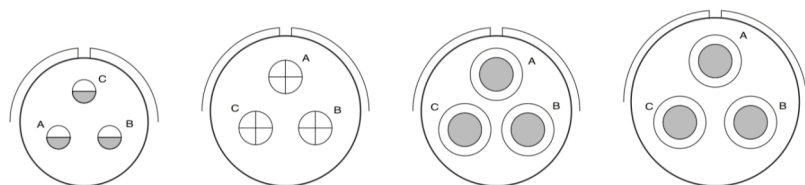


ARRANGEMENT	24-9	32-5
NO. OF CONTACTS	2	2
CONTACT SIZE	2-4	2-0
SERVICE RATING	A	D

## 3 CONTACTS



ARRANGEMENT	10SL-3	14S-7	16S-5	16-7	16-10
NO. OF CONTACTS	3	3	3	3	3
CONTACT SIZE	3-16	3-16	3-16	1-8, 2-16	3-12
SERVICE RATING	A	A	A	A	A



ARRANGEMENT	18-22	20-3	20-19	22-2
NO. OF CONTACTS	3	3	3	3
CONTACT SIZE	3-16	3-12	3-8	3-8
SERVICE RATING	D	D	A	D

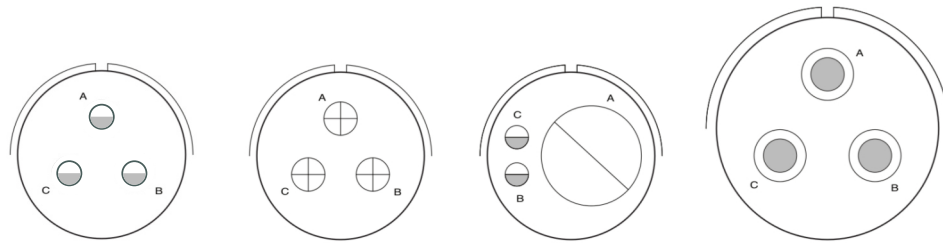
1

## Contact Size Legend

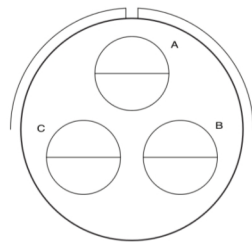


## Front View of Pin Inserts

## 3 CONTACTS

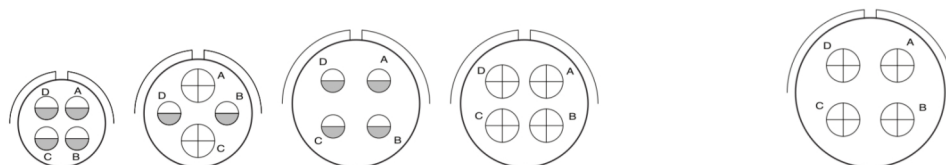


ARRANGEMENT	20-6	22-9	22-21	28-3
NO. OF CONTACTS	3	3	3	3
CONTACT SIZE	16	3-12	1-0, 2-16	3-8
SERVICE RATING	D	E	A	E



ARRANGEMENT	28-6
NO. OF CONTACTS	3
CONTACT SIZE	3-4
SERVICE RATING	D

## 4 CONTACTS



ARRANGEMENT	14S-2	16-9	18-4	18-10	20-4
NO. OF CONTACTS	4	4	4	4	4
CONTACT SIZE	4-16	2-12, 2-16	4-16	4-12	4-12
SERVICE RATING	I	A	D	A	D

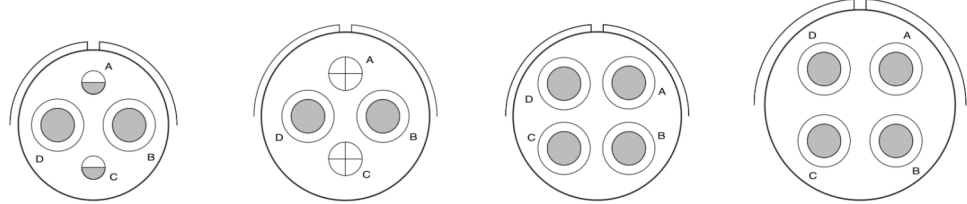
1

## Front View of Pin Inserts

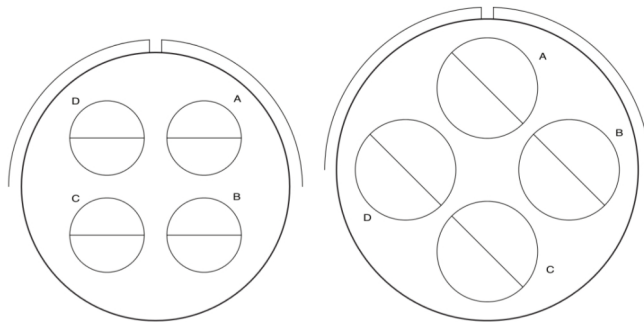
### Contact Size Legend



### 4 CONTACTS



ARRANGEMENT	20-24	22-4	22-22	24-22
NO. OF CONTACTS	4	4	4	4
CONTACT SIZE	2-8, 2-16	2-8, 2-12	4-8	4-8
SERVICE RATING	A	A	A	D



ARRANGEMENT	32-17	36-5
NO. OF CONTACTS	4	4
CONTACT SIZE	4-4	4-0
SERVICE RATING	D	A

### 5 CONTACTS



ARRANGEMENT	14S-5	16S-8	18-11
NO. OF CONTACTS	5	5	5
CONTACT SIZE	5-16	5-16	5-12
SERVICE RATING	I	A	A

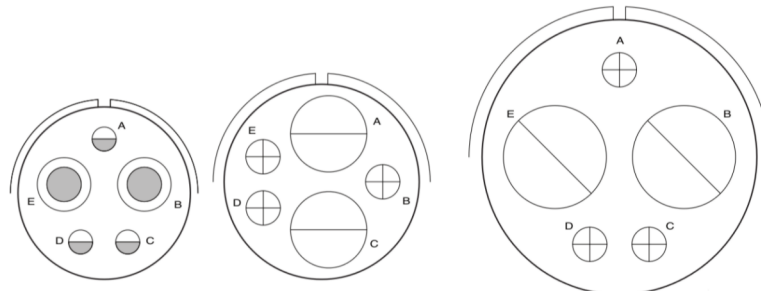
1

## Front View of Pin Inserts

## Contact Size Legend

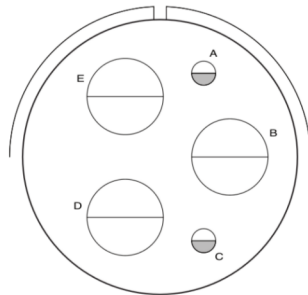


## 5 CONTACTS



ARRANGEMENT	22-12	24-12	32-1
NO. OF CONTACTS	5	5	5
CONTACT SIZE	2-8, 3-16	2-4, 3-12	2-0, 3-12
SERVICE RATING	D	A	D

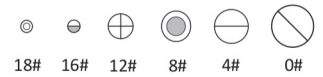
1



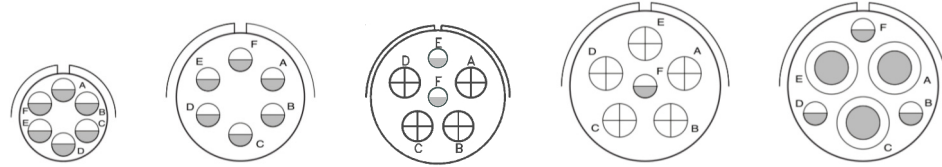
ARRANGEMENT	32-2
NO. OF CONTACTS	5
CONTACT SIZE	3-4, 2-16
SERVICE RATING	E

## Front View of Pin Inserts

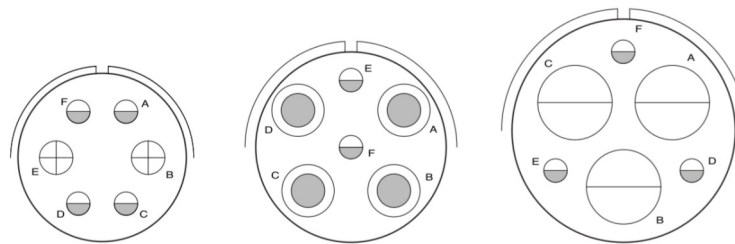
## Contact Size Legend



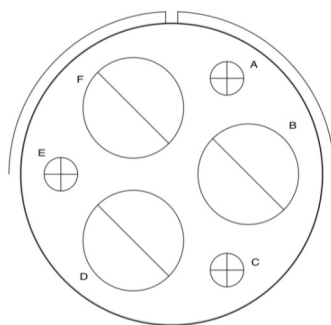
## 6 CONTACTS



ARRANGEMENT	14S-6	18-12	18-06	20-17	20-22
NO. OF CONTACTS	6	6	6	6	6
CONTACT SIZE	6-16	6-16	4-12, 2-16	5-12, 1-16	3-8, 3-16
SERVICE RATING	I	A	A	A	A



ARRANGEMENT	22-5	24-06	28-22
NO. OF CONTACTS	6	6	6
CONTACT SIZE	2-12, 4-16	4-8, 2-16	3-4, 3-16
SERVICE RATING	D	D	D



ARRANGEMENT	36-3
NO. OF CONTACTS	6
CONTACT SIZE	3-0, 3-12
SERVICE RATING	D

1

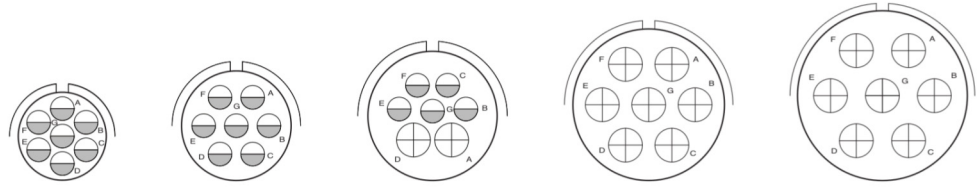


## Front View of Pin Inserts

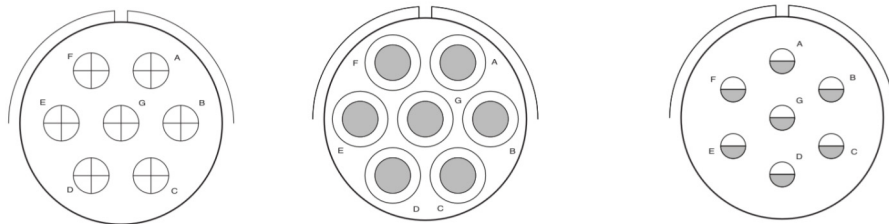
## Contact Size Legend



## 7 CONTACTS



ARRANGEMENT	14S-A7	16S-1	18-9	20-15	22-28
NO. OF CONTACTS	7	7	7	7	7
CONTACT SIZE	7-16	7-16	2-12, 5-16	7-12	7-12
SERVICE RATING	I	A	I	A	A



ARRANGEMENT	24-2	24-10	24-27
NO. OF CONTACTS	7	7	7
CONTACT SIZE	7-12	7-8	7-16
SERVICE RATING	D	A	E



ARRANGEMENT	24-07	28-10
NO. OF CONTACTS	7	7
CONTACT SIZE	7-12	2-4, 3-8, 3-12
SERVICE RATING	D	G=D, Bal.=A

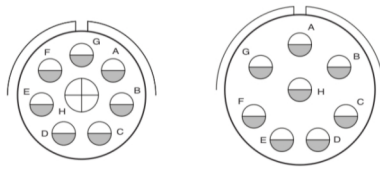
1

## Front View of Pin Inserts

## Contact Size Legend

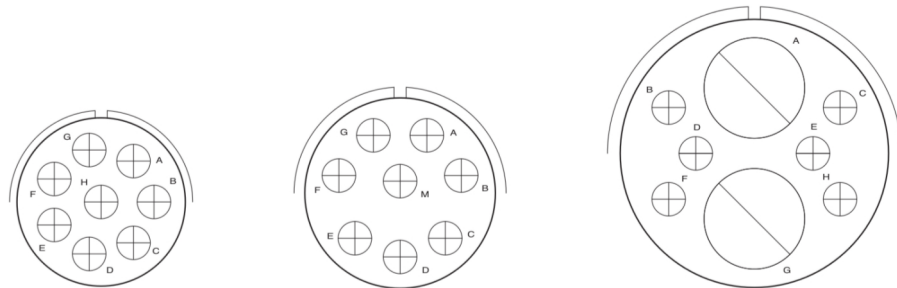


## 8 CONTACTS



ARRANGEMENT	18-8	20-7
NO. OF CONTACTS	8	8
CONTACT SIZE	1-12, 7-16	8-16
SERVICE RATING	A	A,B,H,G=D - Bal.=A

1



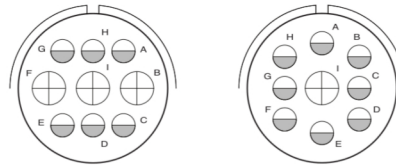
ARRANGEMENT	22-23	24-6	32-15
NO. OF CONTACTS	8	8	8
CONTACT SIZE	8-12	8-12	2-0, 6-12
SERVICE RATING	H=D - Bal.=A	A,G,H=D - Bal.=A	D

## Front View of Pin Inserts

### Contact Size Legend

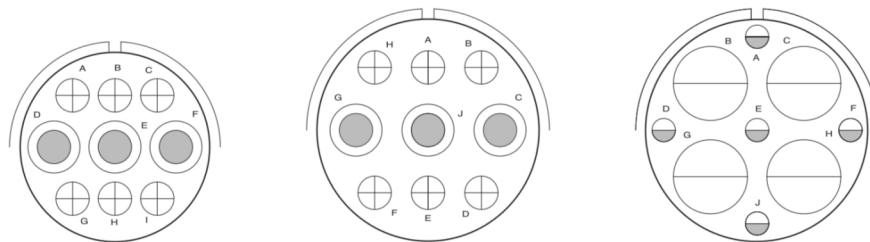


## 9 CONTACTS



ARRANGEMENT	20-18	20-21
NO. OF CONTACTS	9	9
CONTACT SIZE	3-12, 6-16	1-12, 8-16
SERVICE RATING	A	A

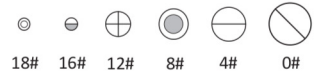
1



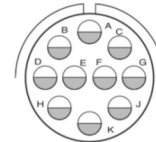
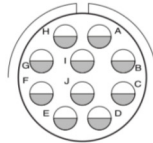
ARRANGEMENT	24-11	28-1	28A-9
NO. OF CONTACTS	9	9	9
CONTACT SIZE	3-8, 6-12	3-8, 6-12	4-4, 5-16
SERVICE RATING	A	A,J,E=D - Bal.=A	A

## Front View of Pin Inserts

### Contact Size Legend



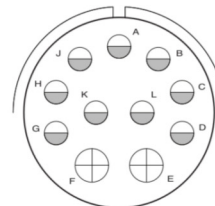
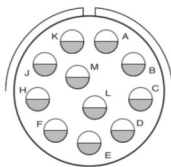
### 10 CONTACTS



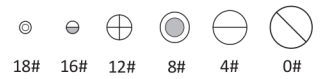
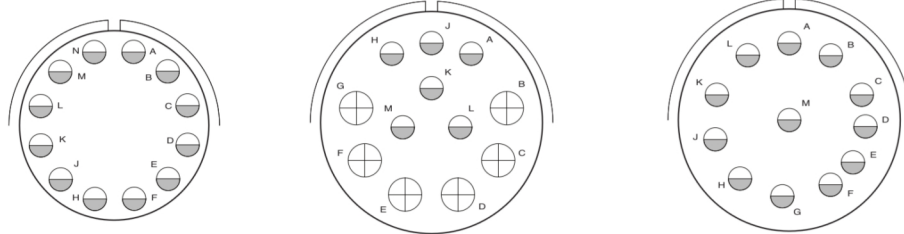
ARRANGEMENT	18-1	18-19
NO. OF CONTACTS	10	10
CONTACT SIZE	10-16	10-16
SERVICE RATING	B,C,F,G=A - Bal.=I	A

1

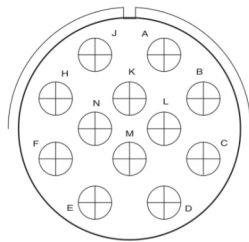
### 11 CONTACTS



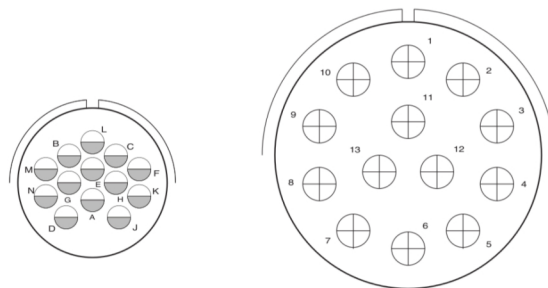
ARRANGEMENT	20-33	24-20
NO. OF CONTACTS	11	11
CONTACT SIZE	11-16	2-12, 9-16
SERVICE RATING	A	D

**Front View of Pin Inserts**
**Contact Size Legend**

**12 CONTACTS**


ARRANGEMENT	24-19	28-9	28-18
NO. OF CONTACTS	12	12	12
CONTACT SIZE	12-16	6-12, 6-16	12-16
SERVICE RATING	A	D	M=C - A,B=A - G,H,J,K,L=D - Bal.=I



ARRANGEMENT	28-51
NO. OF CONTACTS	12
CONTACT SIZE	12-12
SERVICE RATING	D

**13 CONTACTS**


ARRANGEMENT	20-11	32-013
NO. OF CONTACTS	13	13
CONTACT SIZE	13-16	13-12
SERVICE RATING	I	D

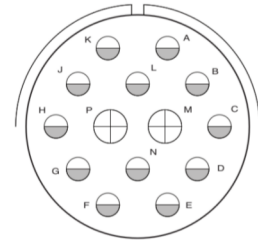
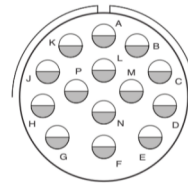
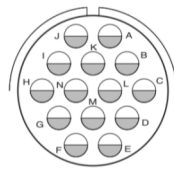
1

## Front View of Pin Inserts

## Contact Size Legend

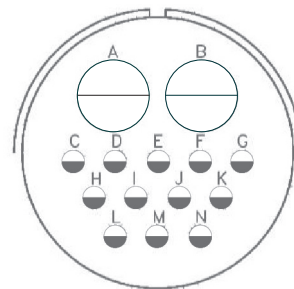
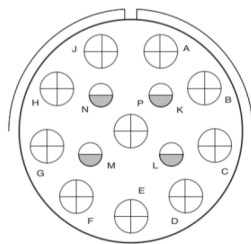


## 14 CONTACTS



ARRANGEMENT	20-27	22-19	28-2
NO. OF CONTACTS	14	14	14
CONTACT SIZE	14-16	14-16	2-12, 12-16
SERVICE RATING	A	A	D

1



ARRANGEMENT	28-20	32-9
NO. OF CONTACTS	14	14
CONTACT SIZE	10-12, 4-16	2 - 4, 12-16
SERVICE RATING	A	D

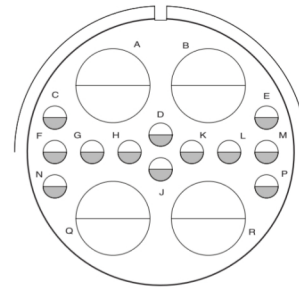
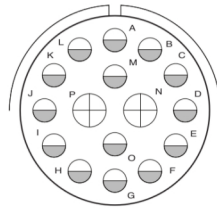
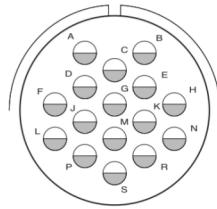


## Front View of Pin Inserts

## Contact Size Legend

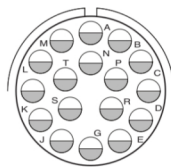


## 16 CONTACTS

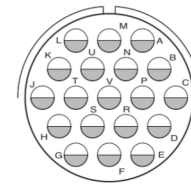
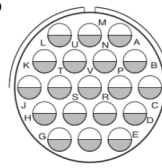


ARRANGEMENT	24-5	24-7	32-68
NO. OF CONTACTS	16	16	16
CONTACT SIZE	16-16	2-12, 14-16	4-4, 12-16
SERVICE RATING	A	A	A

## 17 CONTACTS

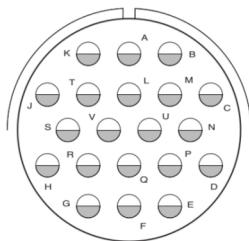


## 19 CONTACTS



ARRANGEMENT	20-29	20A-48	22-14
NO. OF CONTACTS	17	19	19
CONTACT SIZE	17-16	19-16	19-16
SERVICE RATING	A	I	A

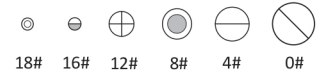
## 20 CONTACTS



ARRANGEMENT	28-16
NO. OF CONTACTS	20
CONTACT SIZE	20-16
SERVICE RATING	A

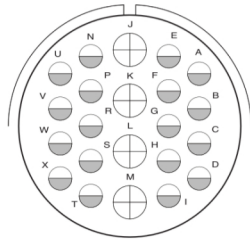


Contact Size Legend



**Front View of Pin Inserts**

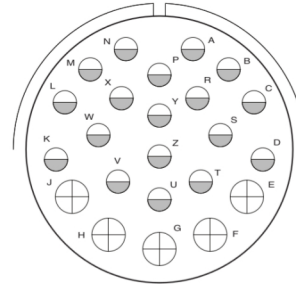
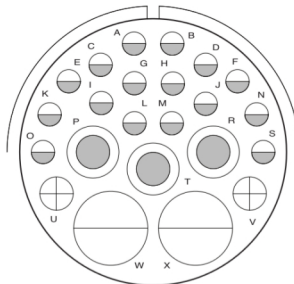
**22 CONTACTS**



ARRANGEMENT	<b>28-11</b>
NO. OF CONTACTS	22
CONTACT SIZE	4-12, 18-16
SERVICE RATING	A

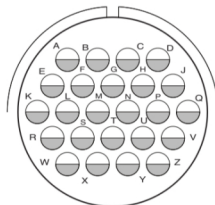
1

**23 CONTACTS**

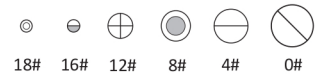
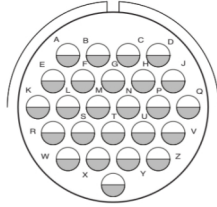


ARRANGEMENT	<b>32-6</b>	<b>32-13</b>
NO. OF CONTACTS	23	23
CONTACT SIZE	2-4, 3-8, 2-12, 16-16	5-12, 18-16
SERVICE RATING	A	D

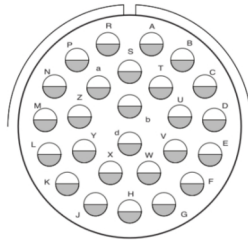
**24 CONTACTS**



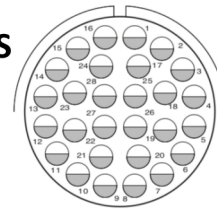
ARRANGEMENT	<b>24-28</b>
NO. OF CONTACTS	24
CONTACT SIZE	24-16
SERVICE RATING	I

**Front View of Pin Inserts**
**Contact Size Legend**

**25 CONTACTS**


ARRANGEMENT	24A-25
NO. OF CONTACTS	25
CONTACT SIZE	25-16
SERVICE RATING	I

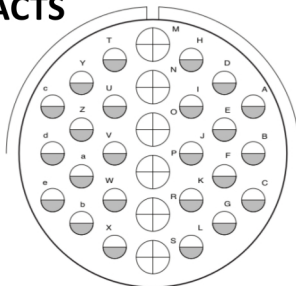
**26 CONTACTS**


ARRANGEMENT	28-12
NO. OF CONTACTS	26
CONTACT SIZE	26-16
SERVICE RATING	A

**28 CONTACTS**


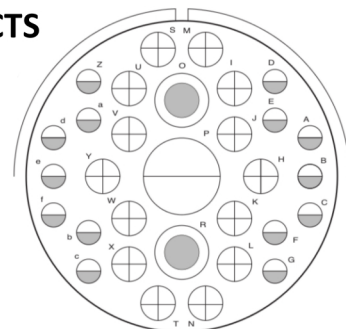
24A-28

ARRANGEMENT	28-12	24A-28
NO. OF CONTACTS	26	28
CONTACT SIZE	26-16	28-16
SERVICE RATING	A	I

**30 CONTACTS**


32-8

NO. OF CONTACTS	30
CONTACT SIZE	6-12, 24-16
SERVICE RATING	A

**31 CONTACTS**


36-9

NO. OF CONTACTS	31
CONTACT SIZE	1-4, 2-8, 14-12, 14-16
SERVICE RATING	A

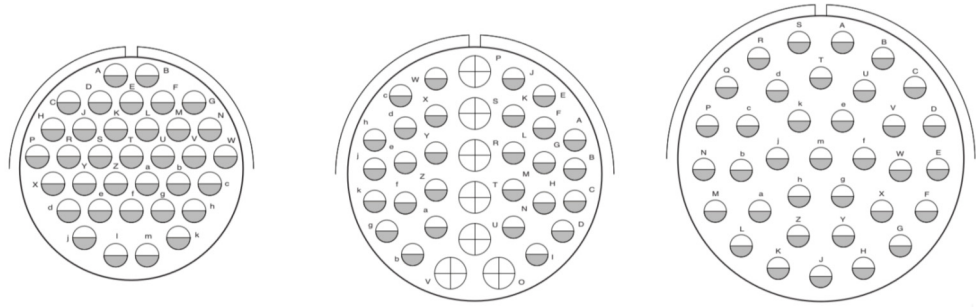


## Front View of Pin Inserts

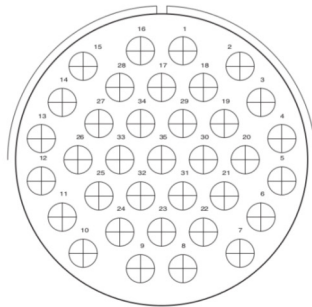
## Contact Size Legend



## 35 CONTACTS

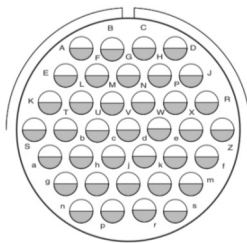


ARRANGEMENT	<b>28-15</b>	<b>32-7</b>	<b>36-15</b>
NO. OF CONTACTS	35	35	35
CONTACT SIZE	35-16	7-12, 28-16	35-16
SERVICE RATING	A	A,B,h,j=l - Bal.=A	M=D - Bal.=A



ARRANGEMENT	<b>40-35</b>
NO. OF CONTACTS	35
CONTACT SIZE	35-12
SERVICE RATING	D

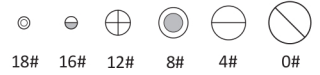
## 37 CONTACTS



ARRANGEMENT	<b>28-21</b>
NO. OF CONTACTS	37
CONTACT SIZE	37-16
SERVICE RATING	A

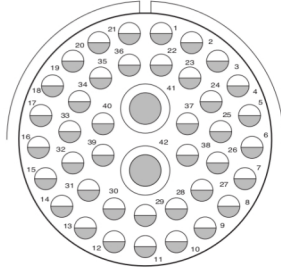
1

Contact Size Legend



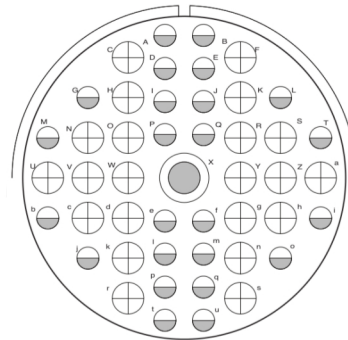
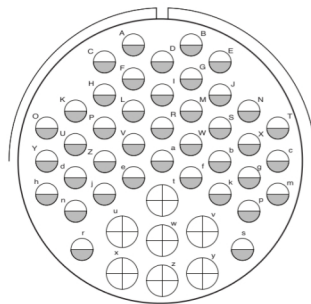
**Front View of Pin Inserts**

**42 CONTACTS**



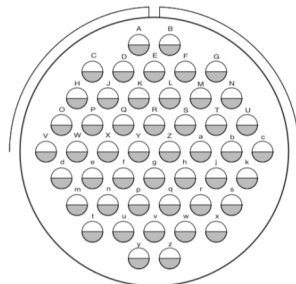
ARRANGEMENT	<b>32-59</b>
NO. OF CONTACTS	42
CONTACT SIZE	2-8, 40-16
SERVICE RATING	A

**47 CONTACTS**

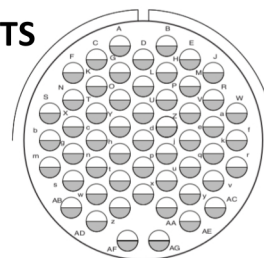


ARRANGEMENT	<b>36-7</b>	<b>40-9</b>
NO. OF CONTACTS	47	47
CONTACT SIZE	7-12, 40-16	1-8, 22-12, 24-16
SERVICE RATING	A	A

**48 CONTACTS**



**54 CONTACTS**



ARRANGEMENT	<b>36-10</b>	<b>32-22</b>
NO. OF CONTACTS	48	54
CONTACT SIZE	48-16	54-16
SERVICE RATING	A	A

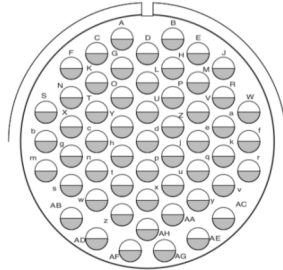


**Front View of Pin Inserts**

**Contact Size Legend**



**55 CONTACTS**



ARRANGEMENT

**32A-55**

NO. OF CONTACTS

55

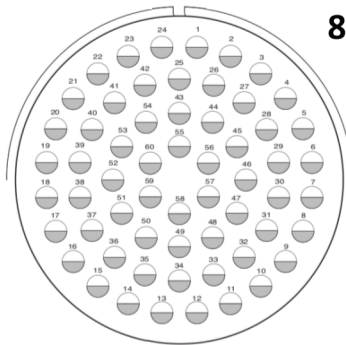
CONTACT SIZE

55-16

SERVICE RATING

A

**60 CONTACTS**



ARRANGEMENT

**40-53**

NO. OF CONTACTS

60

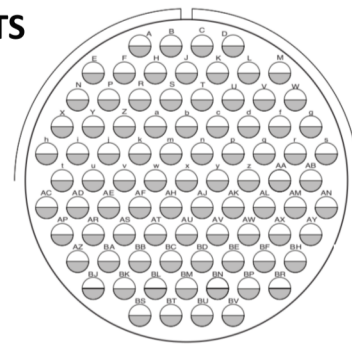
CONTACT SIZE

60-16

SERVICE RATING

A

**85 CONTACTS**



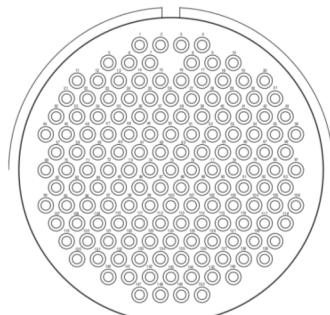
**40-56**

85

85-16

A

**150 CONTACTS**



ARRANGEMENT

**40A-150**

NO. OF CONTACTS

150

CONTACT SIZE

150-18

SERVICE RATING

I

1



## HOW TO ORDER

<u>FR</u>	<u>CKB</u>	<u>31</u>	<u>06</u>	<u>A</u>	<u>20-27</u>	<u>P</u>	<u>X</u>	<u>T03</u>	<u>CGMXX</u>	<u>T50</u>
<b>1</b>	<b>2</b>	<b>3</b>	<b>4</b>	<b>5</b>	<b>6</b>	<b>7</b>	<b>8</b>	<b>9</b>	<b>10</b>	<b>11</b>

1 - Omit for Standard Chloroprenic Elastomer  
FR : Fire Resistant Elastomer (Optional)

2 – CKB: Reverse Bayonet Coupling VG95234 compatible  
CKBS: Stainless Pins on ramps, see figure

3 – 31: Solder contacts  
41: Crimp contacts, (Section 3)

4 – Style: 00 - 01 - 02 - 03 - 030 - 06 - 07 - 08 - 26 (Section 2)

5 – 10 Class type: A, AF, MXX, PGXX, A...LB, A...CGMXX (Section 2)

6 – Size and Contacts arrangement (Section 1)

7 – P : Male contacts  
S : Female contacts

8 – Insert Rotation - Omit for standard  
Alternate insert position (Section 1)

9 – Contacts modifications : Omit for Silver Plated  
T03 : Gold Plated  
XX : Modified Crimp Bucket  
TC : Thermocouple Contacts  
(Section 2 - 3)

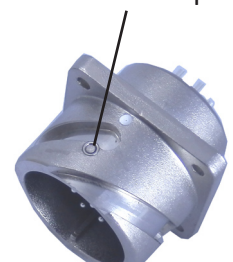
10 - Class type:  
Omit for A and AF classes  
A...LB, A...CGMXX, A...MXX, A...PGXX (Section 2)

11 - Connector Finish (Section 1)

Standard VG95234  
Ramps



CKBS: Stainless  
Pins on Ramps

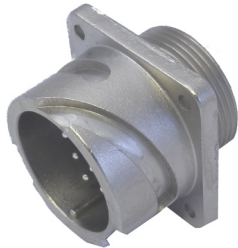


**Classes and Styles**

**CKB31 - A - LB**  
Backshell and clamp  
Not included (see Section 3)

**CKB31 - A**  
Clamp not included  
(see Section 3)

**CKB31 - AF**  
No Environmental clamp



**CKB3100A20-27PLB**  
Front Panel



**CKB3100A20-27P**  
Front Panel



**CKB3100AF20-27P**  
Front Panel



**CKB3101A20-27PLB**  
In Line Receptacle



**CKB3101A20-27P**  
In Line Receptacle



**CKB3101AF20-27P**  
In Line Receptacle



**CKB3106A20-27PLB**  
Straight Plug



**CKB3106A20-27P**  
Straight Plug



**CKB3106AF20-27P**  
Straight Plug



**CKB31030A20-27PLB**  
Rear Panel



**CKB3108A20-27PLB**  
90° Plug



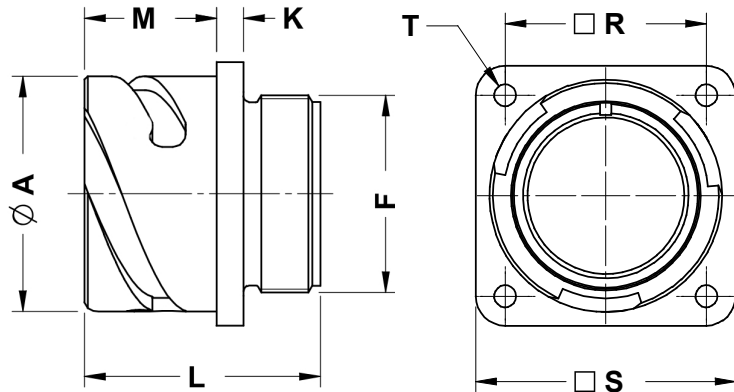
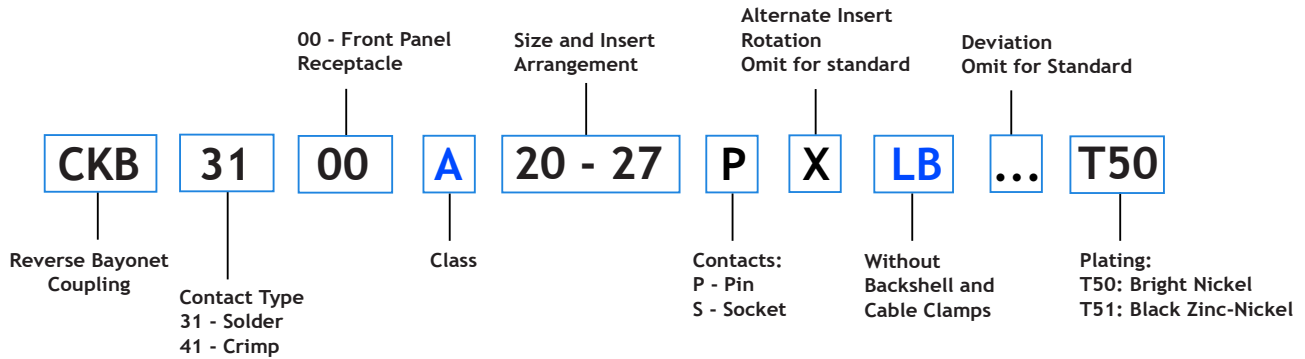
**CKB3108AF20-27P**  
90° Plug

2

## Classes and Styles

<b>CKB - A - MXX</b> Suitable for Metric or PG clamp/conduit	<b>CKB31 - A - CGMXX</b> Environmental clamp for shielded and unshielded cables	<b>PANELS</b> Front, Rear
 <p><b>CKB3100A20-27MXX</b> Front Panel</p>	 <p><b>CKB3100A20-27PCGMXX</b> Front Panel</p>	 <p><b>CKB3102A20-27P</b> Front Panel</p>
 <p><b>CKB3101A20-27PMXX</b> In Line Receptacle</p>	 <p><b>CKB3101A20-27PCGMXX</b> Rear Panel</p>	 <p><b>CKB3103A20-27P</b> Rear Panel</p>
 <p><b>CKB3106A20-27PMXX</b> Straight Plug</p>	 <p><b>CKB3106A20-27PCGMXX</b> Straight Plug</p>	 <p><b>CKB3107A20-27P</b> Environmental Rear Panel</p>
 <p><b>CKB3108A20-27PMXX</b> 90° Plug</p>	 <p><b>CKB3108A20-27PCGMXX</b> 90° Plug</p>	 <p><b>CKB3126A20-27P</b> Rear Panel</p>

## Front Panel Receptacle with Accessory Mounting Thread

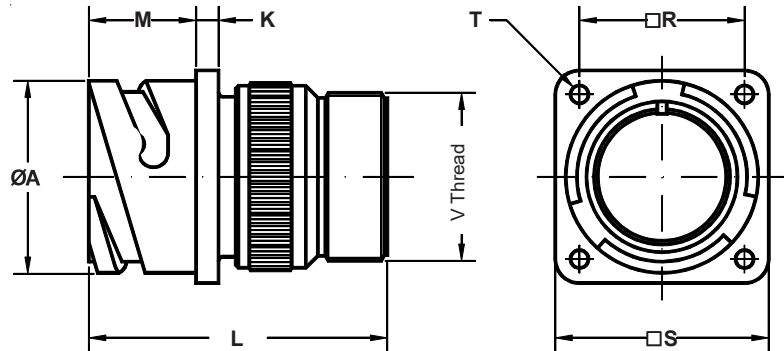
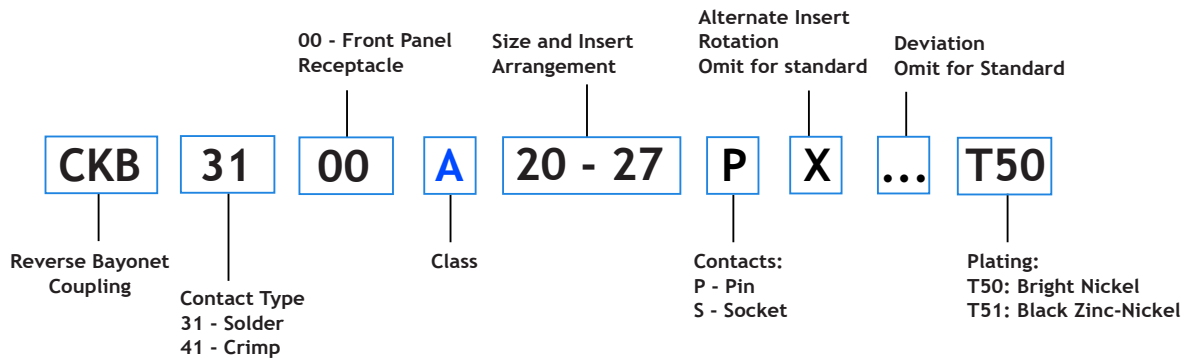


Shell size	ØA +0 -0.1	K ±0.2	L Max.	M +0.2 -0	R ±0.1	S ±0.2	ØT +0.1 -0	F Thread
10 SL	18.2	2.8	24.7	14.3	18.25	25.4	3.2	0.6250 - 24UNEF
14 S	24.5	3.3	24.9	14.5	23.00	30.4	3.2	0.7500 - 20UNEF
16 S	27.2	3.3	24.9	14.5	24.60	32.5	3.2	0.8750 - 20UNEF
16	27.2	3.3	33.9	19.1	24.60	32.5	3.2	0.8750 - 20UNEF
18	30.7	4.0	34.3	19.1	27.00	35.0	3.2	1.0000 - 20UNEF
20	34.0	4.0	34.3	19.1	29.40	38.0	3.2	1.1250 - 18UNEF
22	37.3	4.0	34.3	19.6	31.75	41.0	3.2	1.2500 - 18UNEF
24	40.9	4.0	35.8	20.6	34.90	44.5	3.7	1.3750 - 18UNEF
28	46.7	4.0	35.8	20.7	39.70	50.9	3.7	1.6250 - 18UNEF
32	53.4	4.0	37.4	22.3	44.45	57.0	4.3	1.8750 - 16UN
36	59.6	4.0	37.4	22.3	49.20	63.5	4.3	2.0625 - 16UN
40	65.5	4.0	37.4	22.3	55.55	69.9	4.3	2.3125 - 16UN

### Application Notes:

- Front Panel Receptacle with thread for backshell (not included, see Section 3)
- Standard configuration: Aluminium Alloy Shells (Stainless Steel option)  
Copper Alloy Silver Plated Contacts (Gold Plated option)  
Polychloroprene elastomer insulator (Fire Resistant Elastomer option)
- For other options contact the factory

### Front Panel Receptacle with cable clamp Mounting thread



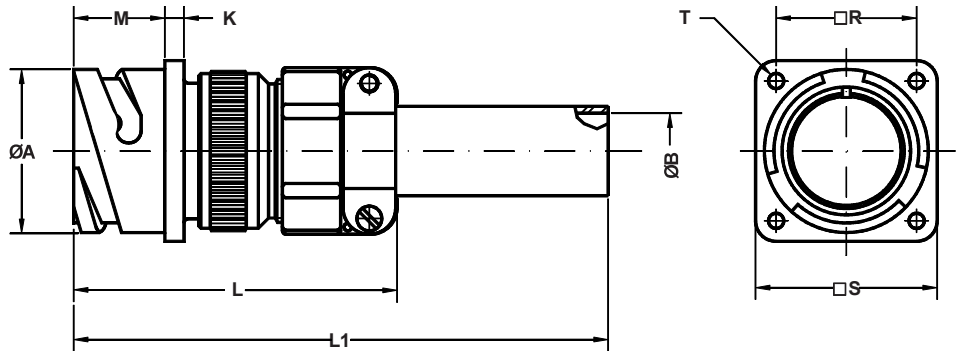
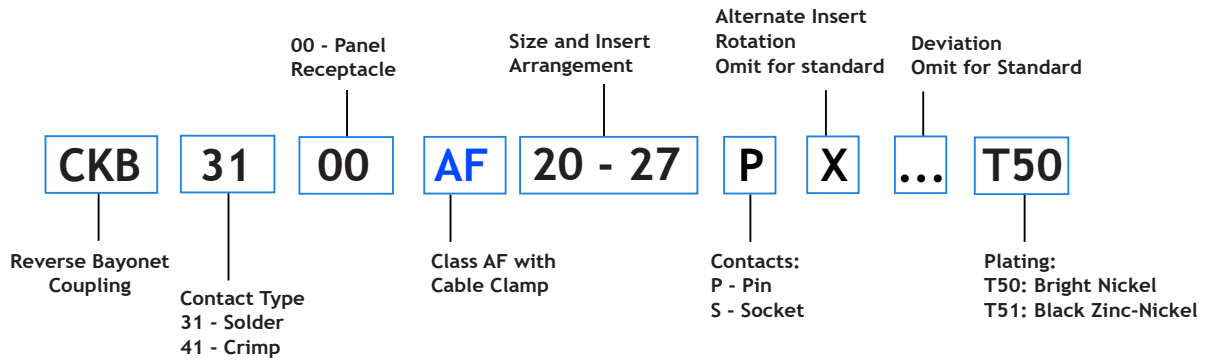
Shell size	ØA +0 -0.1	K ±0.2	L Max.	M +0.2 -0	R ±0.1	S ±0.2	ØT +0.1 -0	V Thread
<b>10 SL</b>	18.2	2.8	44.0	14.3	18.25	25.4	3.2	0.6250 - 24UNEF
<b>14 S</b>	24.5	3.3	46.4	14.5	23.00	30.4	3.2	0.7500 - 20UNEF
<b>16 S</b>	27.2	3.3	46.4	14.5	24.60	32.5	3.2	0.8750 - 20UNEF
<b>16</b>	27.2	3.3	57.8	19.1	24.60	32.5	3.2	0.8750 - 20UNEF
<b>18</b>	30.7	4.0	57.8	19.1	27.00	35.0	3.2	1.0000 - 20UNEF
<b>20</b>	34.0	4.0	58.1	19.1	29.40	38.0	3.2	1.1875 - 18UNEF
<b>22</b>	37.3	4.0	58.1	19.6	31.75	41.0	3.2	1.1875 - 18UNEF
<b>24</b>	40.9	4.0	59.7	20.6	34.90	44.5	3.7	1.4375 - 18UNEF
<b>28</b>	46.7	4.0	66.2	20.7	39.70	50.9	3.7	1.4375 - 18UNEF
<b>32</b>	53.4	4.0	71.3	22.3	44.45	57.0	4.3	1.7500 - 18UNS
<b>36</b>	59.6	4.0	76.8	22.3	49.20	63.5	4.3	2.0000 - 18UNS
<b>40</b>	65.5	4.0	76.8	22.3	55.55	69.9	4.3	2.2500 - 16UN

#### Application Notes:

- Front Panel Receptacle with thread for clamp (not included, see Section 3)
- Standard configuration: Aluminium Alloy Shells (Stainless Steel option)  
Copper Alloy Silver Plated Contacts (Gold Plated option)  
Polychloroprene elastomer insulator (Fire Resistant Elastomer option)
- For other options contact the factory



### Front Panel Receptacle with cable clamp

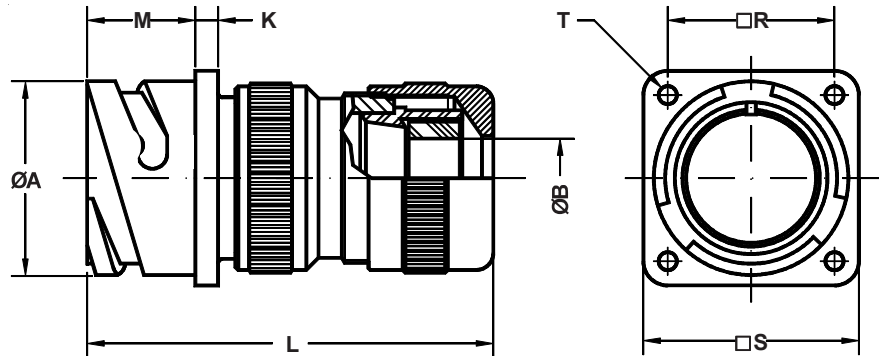
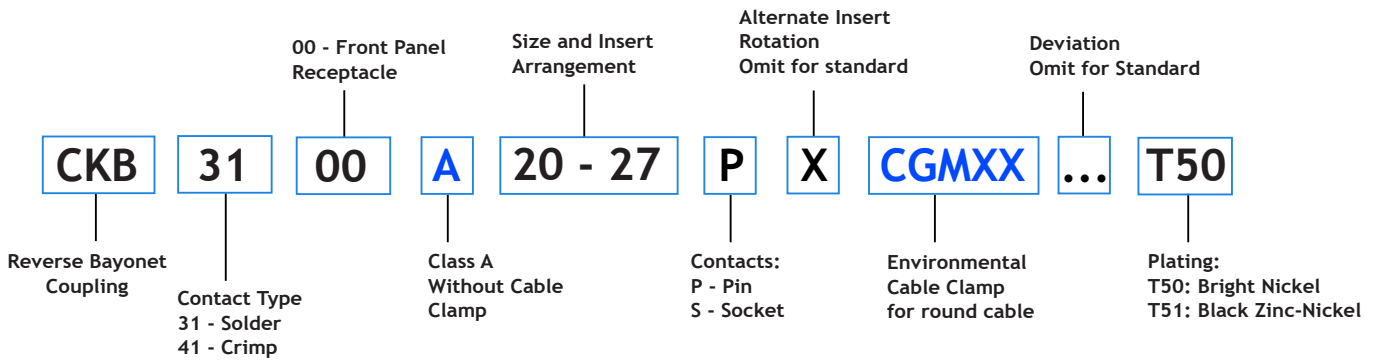


Shell size	ØA +0 -0.1	ØB ±0.1	K ±0.2	L Max.	L1 Max.	M +0.2 -0	R ±0.1	S ±0.2	ØT +0.1 -0
10 SL	18.2	5.58	2.8	55.0	125	14.3	18.25	25.4	3.2
14 S	24.5	7.92	3.3	58.4	125	14.5	23.00	30.4	3.2
16 S	27.2	11.09	3.3	60.4	125	14.5	24.60	32.5	3.2
16	27.2	11.09	3.3	71.8	135	19.1	24.60	32.5	3.2
18	30.7	14.27	4.0	77.8	140	19.1	27.00	35.0	3.2
20	34.0	15.87	4.0	74.0	130	19.1	29.40	38.0	3.2
22	37.3	15.87	4.0	74.0	130	19.6	31.75	41.0	3.2
24	40.9	19.05	4.0	76.7	130	20.6	34.90	44.5	3.7
28	46.7	19.05	4.0	83.2	135	20.7	39.70	50.9	3.7
32	53.4	23.79	4.0	90.3	140	22.3	44.45	57.0	4.3
36	59.6	31.75	4.0	96.8	145	22.3	49.20	63.5	4.3
40	65.5	34.92	4.0	115.8	160	22.3	55.55	69.9	4.3

#### Application Notes:

- Front Panel Receptacle with cable clamp included
- Standard configuration: Aluminium Alloy Shells (Stainless Steel option)  
Copper Alloy Silver Plated Contacts (Gold Plated option)  
Polychloroprene elastomer insulator (Fire Resistant Elastomer option)
- For other options contact the factory

## Front Panel Receptacle with Environmental cable clamp



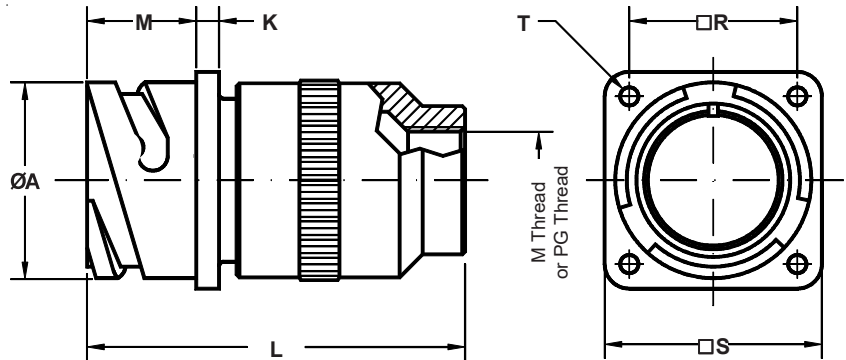
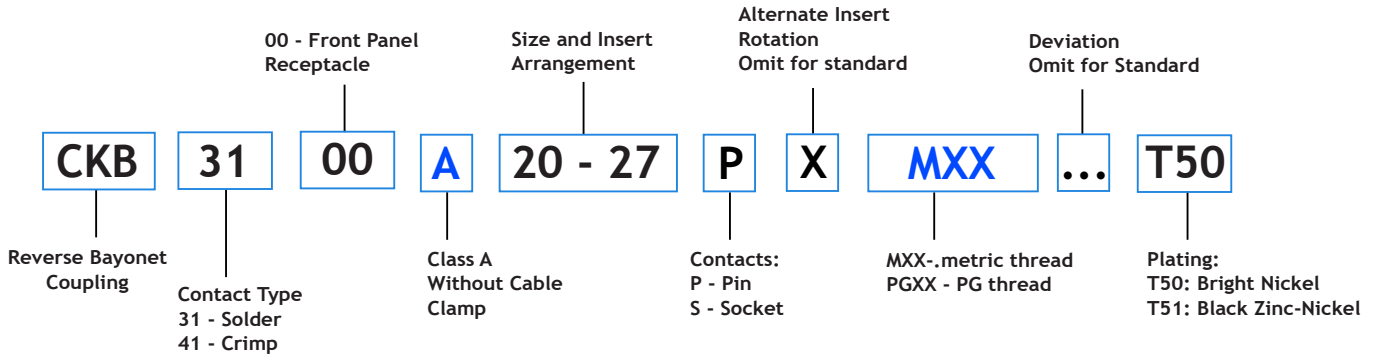
Shell size	X X	ØA +0 -0.1	ØB min. ÷ Max.	K ±0.2	L Max.	M +0.2 -0	R ±0.1	S ±0.2	ØT +0.1 -0
10 SL	9	18.2	2÷9	2.8	60	14.3	18.25	25.4	3.2
14 S	11	24.5	4÷11	3.3	60	14.5	23.00	30.4	3.2
16 S	11	27.2	4÷11	3.3	60	14.5	24.60	32.5	3.2
16	11	27.2	4÷11	3.3	70	19.1	24.60	32.5	3.2
18	11 / 18	30.7	4÷11 / 7÷17	4.0	70	19.1	27.00	35.0	3.2
20	11 / 18	34.0	4÷11 / 7÷17	4.0	70	19.1	29.40	38.0	3.2
22	18	37.3	7÷17	4.0	70	19.6	31.75	41.0	3.2
24	18 / 21 / 25	40.9	7÷17 / 12÷21 / 18÷25	4.0	80	20.6	34.90	44.5	3.7
28	18 / 21 / 25	46.7	7÷17 / 12÷21 / 18÷25	4.0	80	20.7	39.70	50.9	3.7
32	21 / 25	53.4	12÷21 / 18÷25	4.0	80	22.3	44.45	57.0	4.3
36	35 *	59.6	23÷35	4.0	95	22.3	49.20	63.5	4.3
40	35 *	65.5	23÷35	4.0	95	22.3	55.55	69.9	4.3

\* : Consult the factory

### Application Notes:

- Front panel Receptacle with Environmental cable clamp, suitable for shielding protection
- Standard configuration: Aluminium Alloy Shells (Stainless Steel option)  
Copper Alloy Silver Plated Contacts (Gold Plated option)  
Polychloroprene elastomer insulator (Fire Resistant Elastomer option)
- For other options contact the factory

## Front Panel Receptacle with Metric or PG thread



2

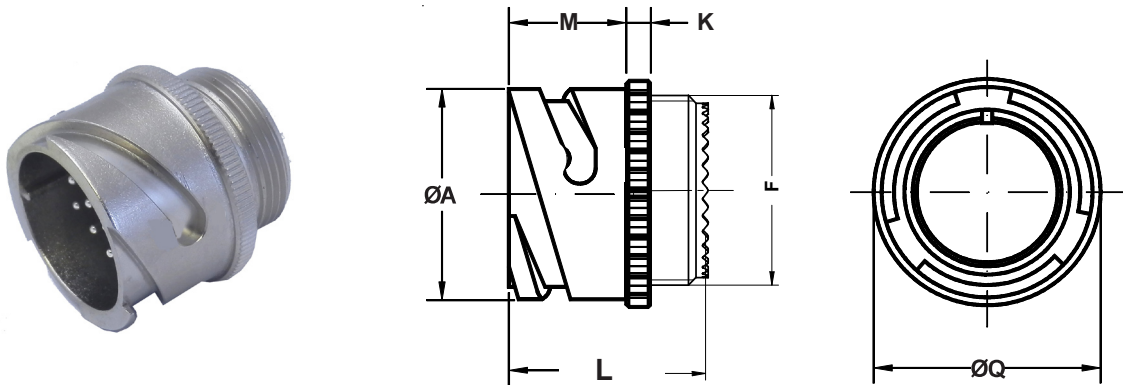
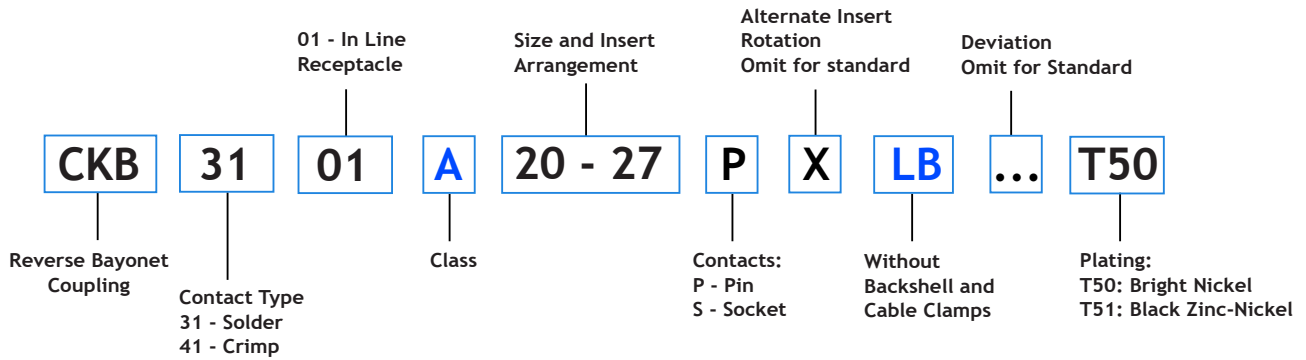
Shell size	ØA +0 -0.1	K ±0.2	L Max.	M +0.2 -0	MXX Fine Pitch 1,5	R ±0.1	S ±0.2	ØT +0.1 -0	PGXX
10 SL	18.2	2.8	50.0	14.3	M12	18.25	25.4	3.2	PG7 / PG9 / PG11
14 S	24.5	3.3	52.5	14.5	M16	23.00	30.4	3.2	PG11 / PG16
16 S	27.2	3.3	52.5	14.5	M16	24.60	32.5	3.2	PG11 / PG16
16	27.2	3.3	61.0	19.1	M16	24.60	32.5	3.2	PG11 / PG16
18	30.7	4.0	66.5	19.1	M20	27.00	35.0	3.2	PG11 / PG13.5 / PG16 / PG21
20	34.0	4.0	69.5	19.1	M25	29.40	38.0	3.2	PG16 / PG21 / PG29
22	37.3	4.0	69.5	19.6	M25	31.75	41.0	3.2	PG16 / PG21 / PG29
24	40.9	4.0	71.5	20.6	M32	34.90	44.5	3.7	PG16 / PG21 / PG29
28	46.7	4.0	76.5	20.7	M32	39.70	50.9	3.7	PG16 / PG21 / PG29
32	53.4	4.0	82.5	22.3	M36	44.45	57.0	4.3	PG21 / PG29
36	59.6	4.0	87.5	22.3	M40	49.20	63.5	4.3	PG21 / PG29
40	65.5	4.0	92.5	22.3	M50	55.55	69.9	4.3	PG21 / PG29 / PG36

**Application Notes:**

- Front panel Receptacle with Metric or PG internal thread. Suitable for clamp or adapter (not included)
- Standard configuration: Aluminium Alloy Shells (Stainless Steel option)  
Copper Alloy Silver Plated Contacts (Gold Plated option)  
Polychloroprene elastomer insulator (Fire Resistant Elastomer option)
- For other options contact the factory



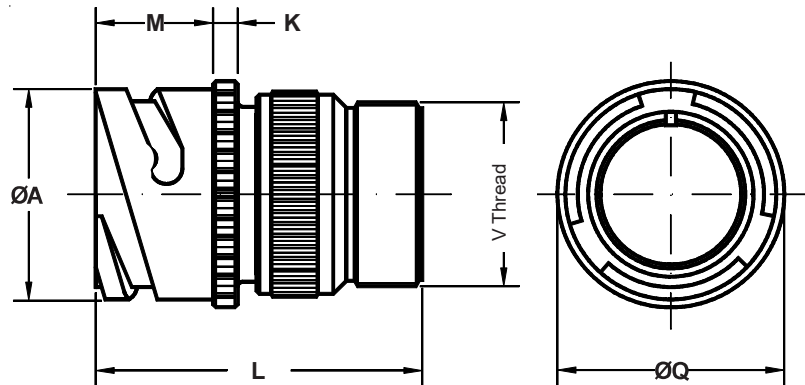
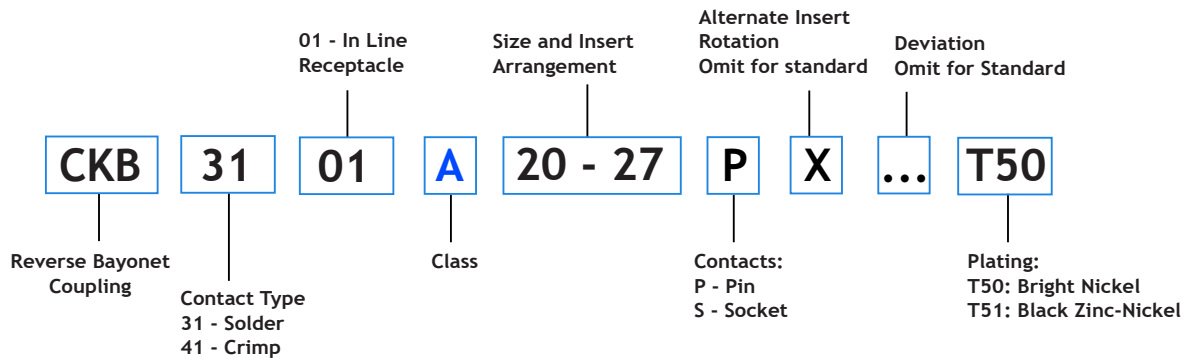
## In Line Receptacle with Accessory Mounting Thread



Shell size	ØA +0 -0.1	K ±0.2	L Max.	M +0.2 -0	F Thread	ØQ ±0.1
10 SL	18.2	2.8	24.7	14.3	0.6250 - 24UNEF	21.8
14 S	24.5	3.3	24.9	14.5	0.7500 - 20UNEF	28.8
16 S	27.2	3.3	24.9	14.5	0.8750 - 20UNEF	30.5
16	27.2	3.3	33.9	19.1	0.8750 - 20UNEF	30.5
18	30.7	4.0	34.3	19.1	1.0000 - 20UNEF	33.8
20	34.0	4.0	34.3	19.1	1.1250 - 18UNEF	36.9
22	37.3	4.0	34.3	19.6	1.2500 - 18UNEF	39.5
24	40.9	4.0	35.8	20.6	1.3750 - 18UNEF	43.9
28	46.7	4.0	35.8	20.7	1.6250 - 18UNEF	48.4
32	53.4	4.0	37.4	22.3	1.8750 - 16UN	56.0
36	59.6	4.0	37.4	22.3	2.0625 - 16UN	62.4
40	65.5	4.0	37.4	22.3	2.3125 - 16UN	68.6

### Application Notes:

- In Line Receptacle with thread for backshell (not included, see Section 3)
- Standard configuration: Aluminium Alloy Shells (Stainless Steel option)  
Copper Alloy Silver Plated Contacts (Gold Plated option)  
Polychloroprene elastomer insulator (Fire Resistant Elastomer option)
- For other options contact the factory

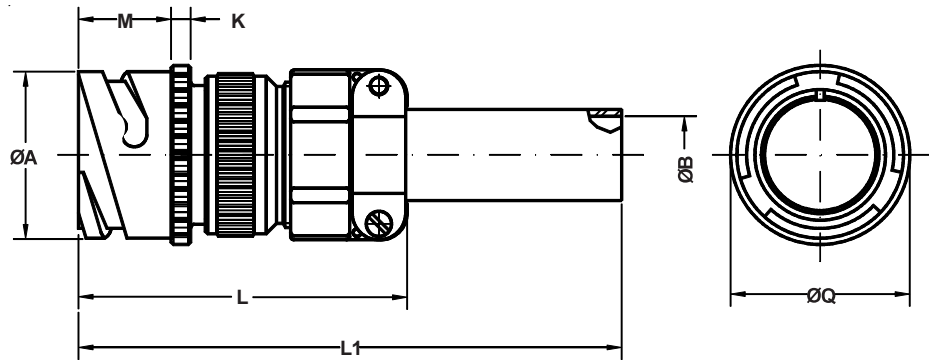
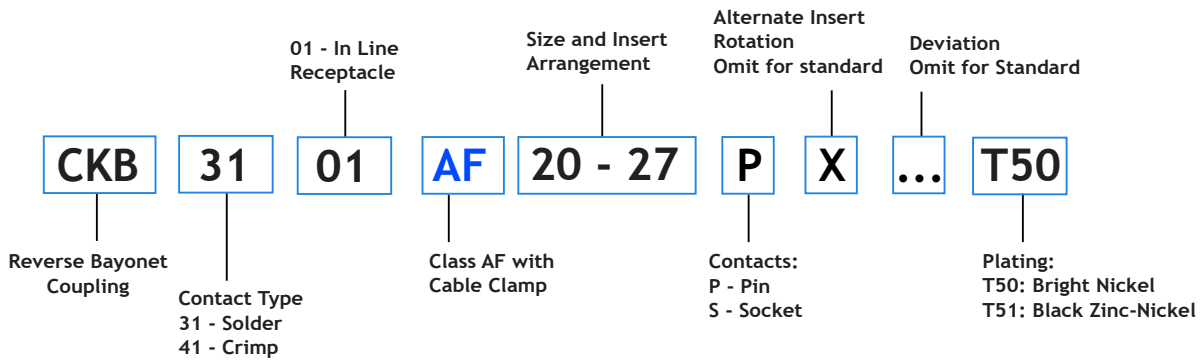
**In Line Receptacle with cable clamp Mounting thread**


Shell size	ØA +0 -0.1	K ±0.2	L Max.	M +0.2 -0	ØQ ±0.1	V Thread
10 SL	18.2	2.8	44.0	14.3	21.8	0.6250 - 24UNEF
14 S	24.5	3.3	46.4	14.5	28.8	0.7500 - 20UNEF
16 S	27.2	3.3	46.4	14.5	30.5	0.8750 - 20UNEF
16	27.2	3.3	57.8	19.1	30.5	0.8750 - 20UNEF
18	30.7	4.0	57.8	19.1	33.8	1.0000 - 20UNEF
20	34.0	4.0	58.1	19.1	36.9	1.1875 - 18UNEF
22	37.3	4.0	58.1	19.6	39.5	1.1875 - 18UNEF
24	40.9	4.0	59.7	20.6	43.9	1.4375 - 18UNEF
28	46.7	4.0	66.2	20.7	48.4	1.4375 - 18UNEF
32	53.4	4.0	71.3	22.3	56.0	1.7500 - 18UNS
36	59.6	4.0	76.8	22.3	62.4	2.0000 - 18UNS
40	65.5	4.0	76.8	22.3	68.6	2.2500 - 16UN

**Application Notes:**

- In Line Receptacle with thread for Clamp (not included, see Section 3)
- Standard configuration: Aluminium Alloy Shells (Stainless Steel option)  
Copper Alloy Silver Plated Contacts (Gold Plated option)  
Polychloroprene elastomer insulator (Fire Resistant Elastomer option)
- For other options contact the factory

## In Line Receptacle with cable clamp

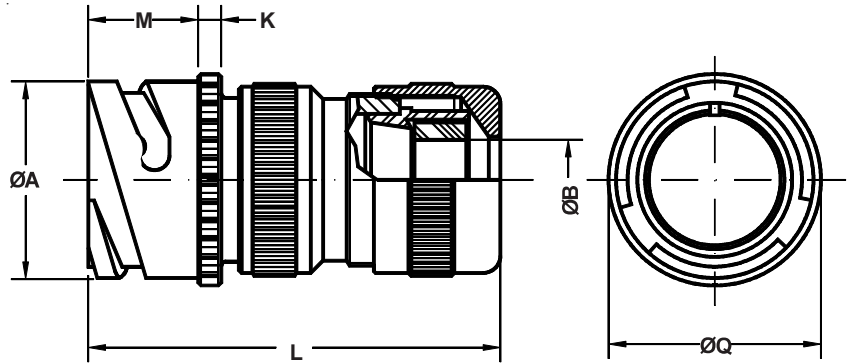
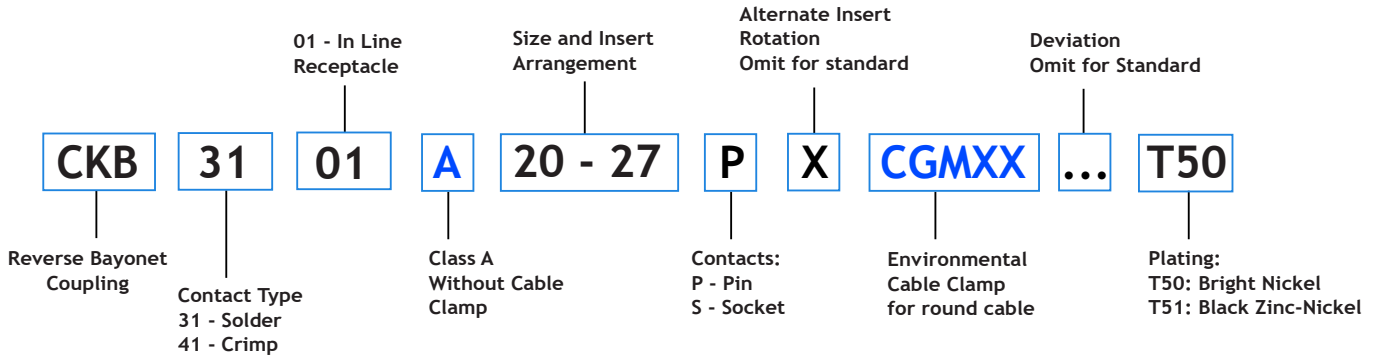


Shell size	ØA +0 -0.1	ØB ±0.1	K ±0.2	L Max.	L1 Max.	M +0.2 -0	ØQ ±0.1
10 SL	18.2	5.58	2.8	55.0	125	14.3	21.8
14 S	24.5	7.92	3.3	58.4	125	14.5	28.8
16 S	27.2	11.09	3.3	60.4	125	14.5	30.5
16	27.2	11.09	3.3	71.8	135	19.1	30.5
18	30.7	14.27	4.0	77.8	140	19.1	33.8
20	34.0	15.87	4.0	74.0	130	19.1	36.9
22	37.3	15.87	4.0	74.0	130	19.6	39.5
24	40.9	19.05	4.0	76.7	130	20.6	43.9
28	46.7	19.05	4.0	83.2	135	20.7	48.4
32	53.4	23.79	4.0	90.3	140	22.3	56.0
36	59.6	31.75	4.0	96.8	145	22.3	62.4
40	65.5	34.92	4.0	115.8	160	22.3	68.6

**Application Notes:**

- In Line Receptacle with cable clamp included
- Standard configuration: Aluminium Alloy Shells (Stainless Steel option)  
Copper Alloy Silver Plated Contacts (Gold Plated option)  
Polychloroprene elastomer insulator (Fire Resistant Elastomer option)
- For other options contact the factory

### In Line Receptacle with Environmental cable clamp

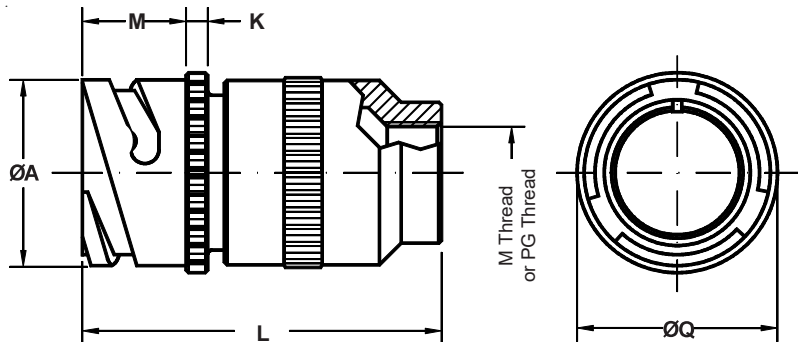
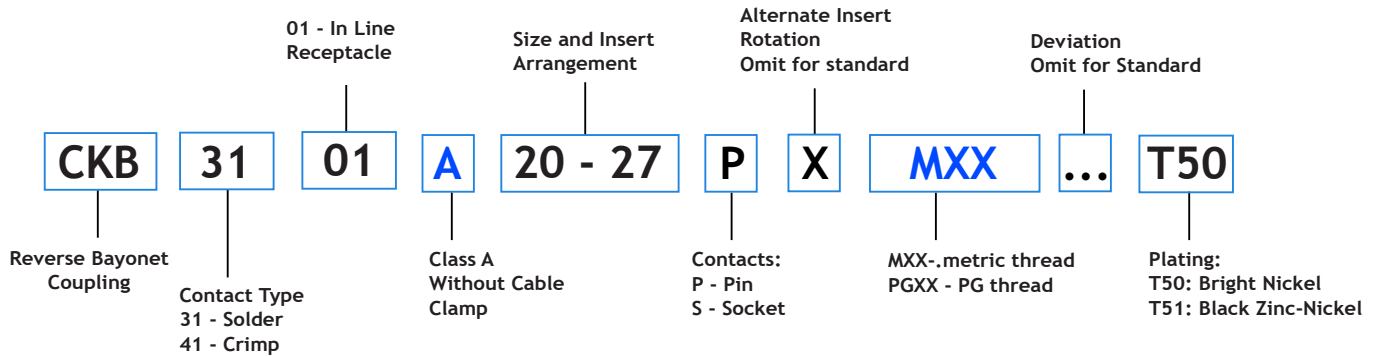


Shell size	X X	ØA +0 -0.1	ØB min. ÷ Max.	K ±0.2	L Max.	M +0.2 -0	ØQ ±0.1
10 SL	9	18.2	2÷9	2.8	60	14.3	21.8
14 S	11	24.5	4÷11	3.3	60	14.5	28.8
16 S	11	27.2	4÷11	3.3	60	14.5	30.5
16	11	27.2	4÷11	3.3	70	19.1	30.5
18	11 / 18	30.7	4÷11 / 7÷17	4.0	70	19.1	33.8
20	11 / 18	34.0	4÷11 / 7÷17	4.0	70	19.1	36.9
22	18	37.3	7÷17	4.0	70	19.6	39.5
24	18 / 21 / 25	40.9	7÷17 / 12÷21 / 18÷25	4.0	80	20.6	43.9
28	18 / 21 / 25	46.7	7÷17 / 12÷21 / 18÷25	4.0	80	20.7	48.4
32	21 / 25	53.4	12÷21 / 18÷25	4.0	80	22.3	56.0
36	35 *	59.6	23÷35	4.0	95	22.3	62.4
40	35 *	65.5	23÷35	4.0	95	22.3	68.6

\* : Consult the factory

#### Application Notes:

- In Line Receptacle with Environmental cable clamp, suitable for shielding protection
- Standard configuration: Aluminium Alloy Shells (Stainless Steel option)  
Copper Alloy Silver Plated Contacts (Gold Plated option)  
Polychloroprene elastomer insulator (Fire Resistant Elastomer option)
- For other options contact the factory

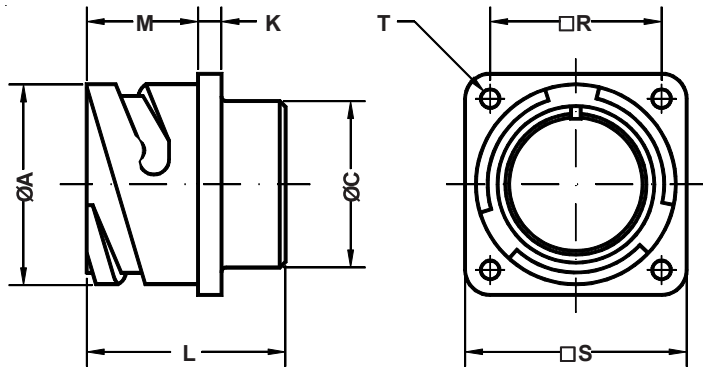
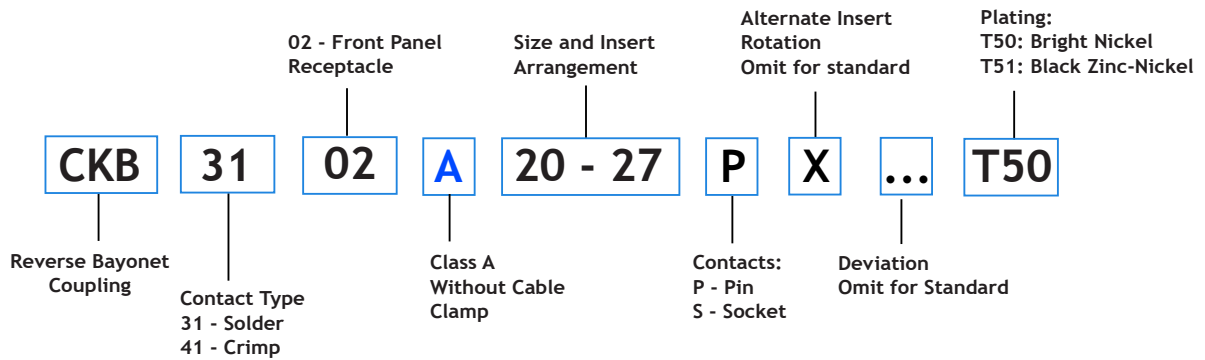
**In Line Receptacle with Metric or PG thread**


Shell size	ØA +0 -0.1	K ±0.2	L Max.	M +0.2 -0	MXX Fine Pitch 1,5	ØQ ±0.1	PGXX
10 SL	18.2	2.8	50.0	14.3	M12	21.8	PG7 / PG9 / PG11
14 S	24.5	3.3	52.5	14.5	M16	28.8	PG11 / PG16
16 S	27.2	3.3	52.5	14.5	M16	30.5	PG11 / PG16
16	27.2	3.3	61.0	19.1	M16	30.5	PG11 / PG16
18	30.7	4.0	66.5	19.1	M20	33.8	PG11 / PG13.5 / PG16 / PG21
20	34.0	4.0	69.5	19.1	M25	36.9	PG16 / PG21 / PG29
22	37.3	4.0	69.5	19.6	M25	39.5	PG16 / PG21 / PG29
24	40.9	4.0	71.5	20.6	M32	43.9	PG16 / PG21 / PG29
28	46.7	4.0	76.5	20.7	M32	48.4	PG16 / PG21 / PG29
32	53.4	4.0	82.5	22.3	M36	56.0	PG21 / PG29
36	59.6	4.0	87.5	22.3	M40	62.4	PG21 / PG29
40	65.5	4.0	92.5	22.3	M50	68.6	PG21 / PG29 / PG36

**Application Notes:**

- In Line Receptacle with Metric or PG internal thread. Suitable for clamp or adapter (not included)
- Standard configuration: Aluminium Alloy Shells (Stainless Steel option)  
Copper Alloy Silver Plated Contacts (Gold Plated option)  
Polychloroprene elastomer insulator (Fire Resistant Elastomer option)
- For other options contact the factory

## Front Panel Receptacle

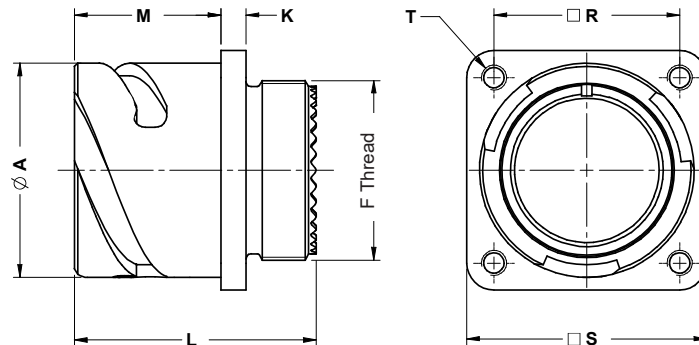
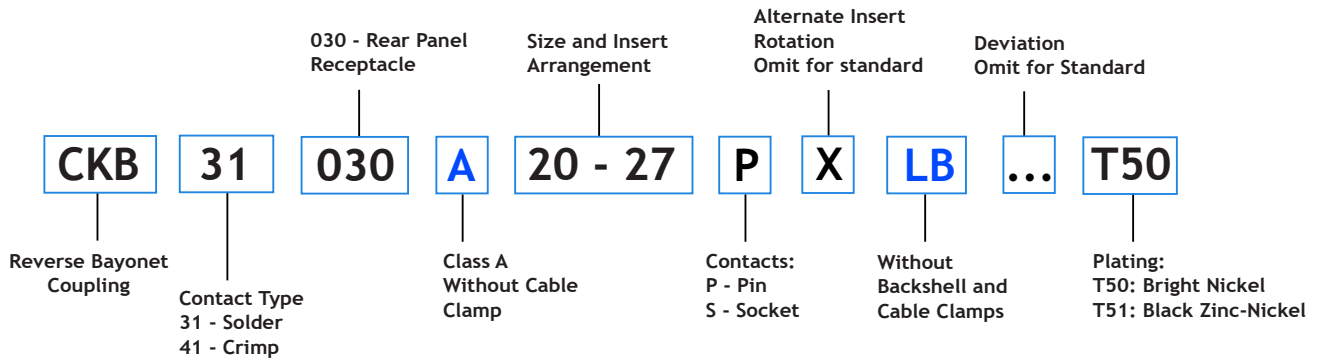


Shell size	ØA +0 -0.1	ØC Max.	K ±0.2	L Max.	M +0.2 -0	R ±0.1	S ±0.2	ØT +0.1 -0
10 SL	18.2	16.2	2.8	24.7	14.3	18.25	25.4	3.2
14 S	24.5	19.2	3.3	24.7	14.5	23.00	30.4	3.2
16 S	27.2	22.4	3.3	24.7	14.5	24.60	32.5	3.2
16	27.2	22.4	3.3	33.8	19.1	24.60	32.5	3.2
18	30.7	25.6	4.0	34.5	19.1	27.00	35.0	3.2
20	34.0	29.0	4.0	34.5	19.1	29.40	38.0	3.2
22	37.3	32.2	4.0	34.5	19.6	31.75	41.0	3.2
24	40.9	35.3	4.0	35.7	20.6	34.90	44.5	3.7
28	46.7	41.4	4.0	35.7	20.7	39.70	50.9	3.7
32	53.4	47.8	4.0	37.3	22.3	44.45	57.0	4.3
36	59.6	54.1	4.0	37.3	22.3	49.20	63.5	4.3
40	65.5	59.0	4.0	37.3	22.3	55.55	69.9	4.3

### Application Notes:

- Front Panel Receptacle
- Standard configuration: Aluminium Alloy Shells (Stainless Steel option)  
Copper Alloy Silver Plated Contacts (Gold Plated option)  
Polychloroprene elastomer insulator (Fire Resistant Elastomer option)
- For other options contact the factory

## Rear Panel Receptacle with Accessory Mounting Thread



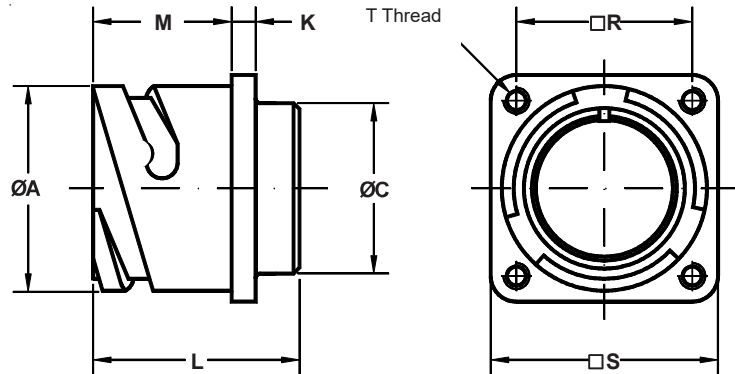
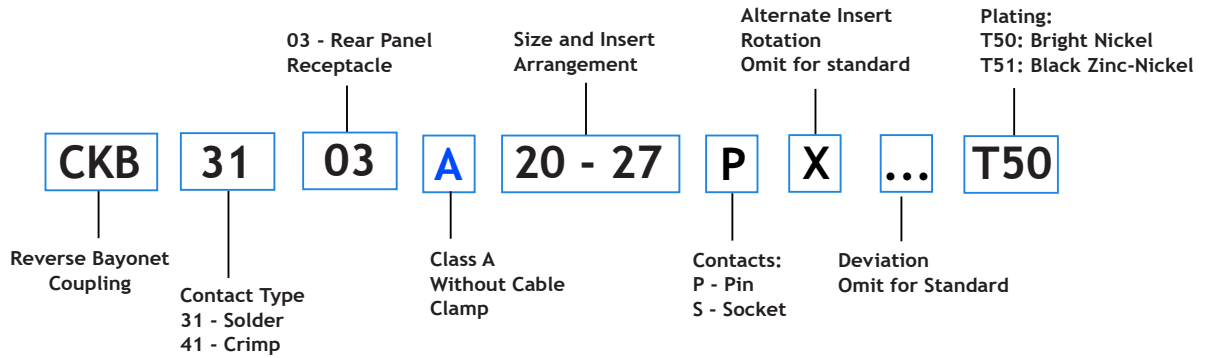
Shell size	ØA +0 -0.1	K ±0.2	L Max.	M +0.2 -0	R ±0.1	S ±0.2	T Thread	F Thread
10 SL	18.2	2.8	30.1	18.5	18.25	25.4	M4	0.6250 - 24UNEF
14 S	24.5	3.3	30.2	18.5	23.00	30.4	M4	0.7500 - 20UNEF
16 S	27.2	3.3	30.1	18.5	24.60	32.5	M4	0.8750 - 20UNEF
16	27.2	3.3	37.1	23.2	24.60	32.5	M4	0.8750 - 20UNEF
18	30.7	4.0	36.1	23.2	27.00	35.0	M4	1.0000 - 20UNEF
20	34.0	4.0	38.4	23.2	29.40	38.0	M4	1.1250 - 18UNEF
22	37.3	4.0	37.1	23.2	31.75	41.0	M4	1.2500 - 18UNEF
24	40.9	4.0	37.1	23.2	34.90	44.5	M4	1.3750 - 18UNEF
28	46.7	4.0	39.6	24.4	39.70	50.9	M5	1.6250 - 18UNEF
32	53.4	4.0	39.6	24.2	44.45	57.0	M5	1.8750 - 16UN
36	59.6	4.0	39.6	24.2	49.20	63.5	M5	2.0625 - 16UN
40	65.5	4.0	39.6	24.4	55.55	69.9	M5	2.3125 - 16UN

### Application Notes:

- Rear Panel Receptacle with thread for backshell (not included, see Section 3)
- Standard configuration: Aluminium Alloy Shells (Stainless Steel option)  
Copper Alloy Silver Plated Contacts (Gold Plated option)  
Polychloroprene elastomer insulator (Fire Resistant Elastomer option)
- For other options contact the factory



## Rear Panel Receptacle



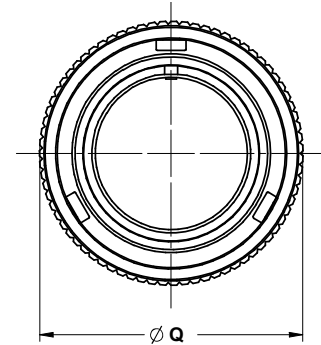
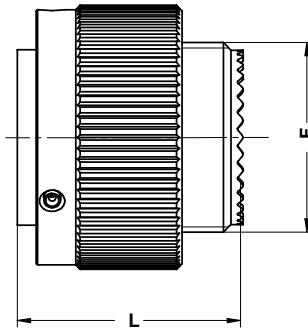
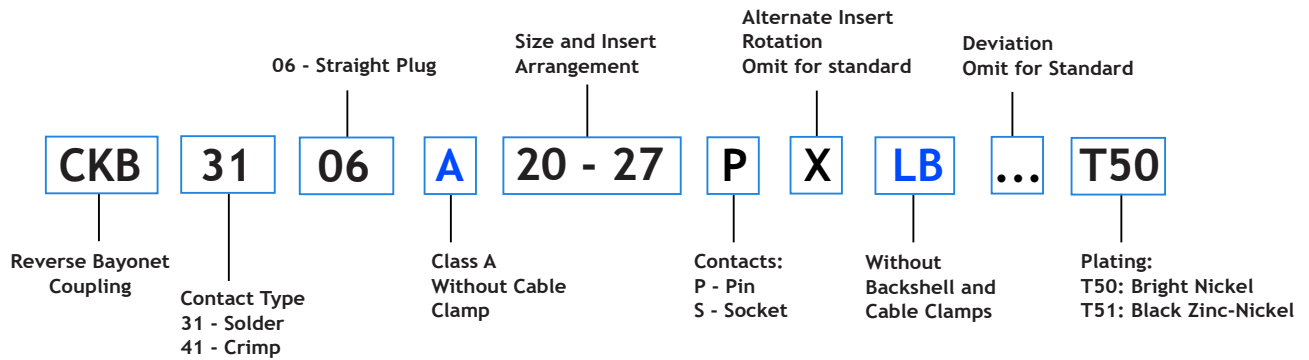
Shell size	ØA +0 -0.1	ØC Max.	K ±0.2	L Max.	M +0.2 -0	R ±0.1	S ±0.2	T Thread
10 SL	18.2	16.2	2.8	24.7	18.5	18.25	25.4	M4
14 S	24.5	19.2	3.3	24.7	18.5	23.00	30.4	M4
16 S	27.2	22.4	3.3	24.7	18.5	24.60	32.5	M4
16	27.2	22.4	3.3	33.8	23.2	24.60	32.5	M4
18	30.7	25.6	4.0	34.2	23.2	27.00	35.0	M4
20	34.0	29.0	4.0	34.5	23.2	29.40	38.0	M4
22	37.3	32.2	4.0	33.8	23.2	31.75	41.0	M4
24	40.9	35.3	4.0	34.5	23.2	34.90	44.5	M4
28	46.7	41.4	4.0	34.5	24.4	39.70	50.9	M5
32	53.4	47.8	4.0	33.8	24.2	44.45	57.0	M5
36	59.6	54.1	4.0	33.8	24.2	49.20	63.5	M5
40	65.5	59.0	4.0	33.8	24.4	55.55	69.9	M5

### Application Notes:

- Rear Panel Receptacle
- Standard configuration: Aluminium Alloy Shells (Stainless Steel option)  
Copper Alloy Silver Plated Contacts (Gold Plated option)  
Polychloroprene elastomer insulator (Fire Resistant Elastomer option)
- For other options contact the factory



### Straight Plug with Accessory Mounting Thread



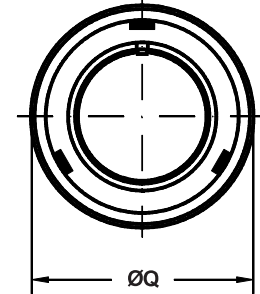
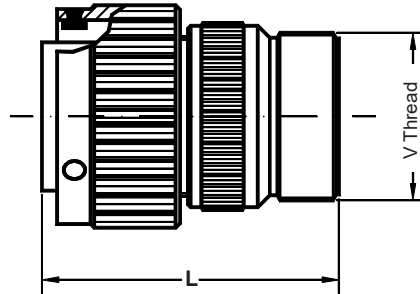
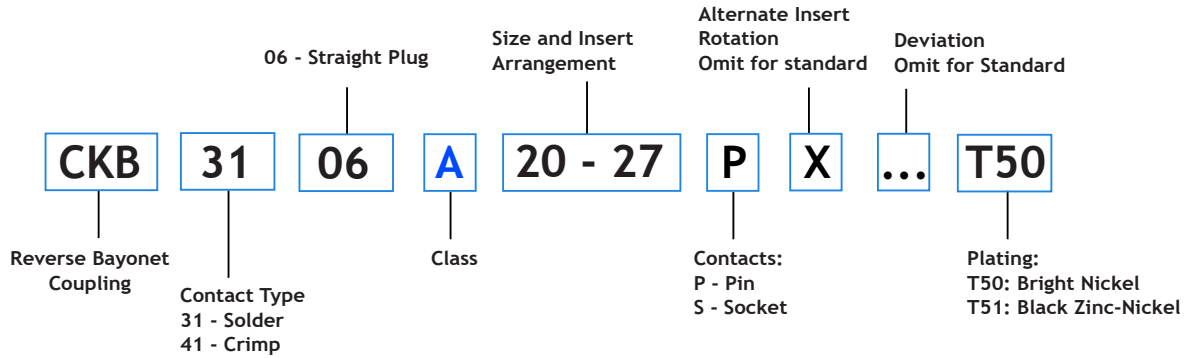
2

Shell size	L Max.	ØQ ±0.2	F Thread
10 SL	24.70	22.6	0.6250 - 24UNEF
14 S	24.70	29.0	0.7500 - 20UNEF
16 S	24.70	31.6	0.8750 - 20UNEF
16	34.25	31.6	0.8750 - 20UNEF
18	34.25	36.2	1.0000 - 20UNEF
20	34.25	39.8	1.1250 - 18UNEF
22	34.25	43.0	1.2500 - 18UNEF
24	35.85	46.4	1.3750 - 18UNEF
28	35.65	53.0	1.6250 - 18UNEF
32	37.45	60.0	1.8750 - 16UN
36	37.45	66.2	2.0625 - 16UN
40	37.45	72.3	2.3125 - 16UN

#### Application Notes:

- Straight Plug with thread for backshell (not included, see Section 3)
- Standard configuration: Aluminium Alloy Shells (Stainless Steel option)  
Copper Alloy Silver Plated Contacts (Gold Plated option)  
Polychloroprene elastomer insulator (Fire Resistant Elastomer option)
- For other options contact the factory

### Straight Plug with cable clamp Mounting thread



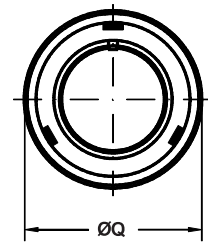
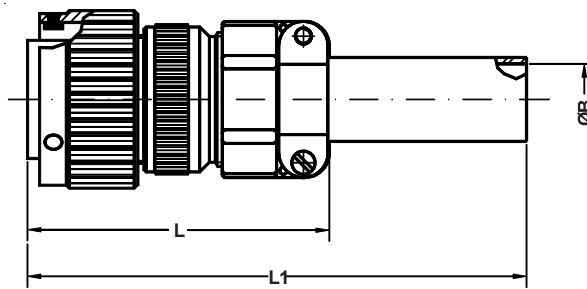
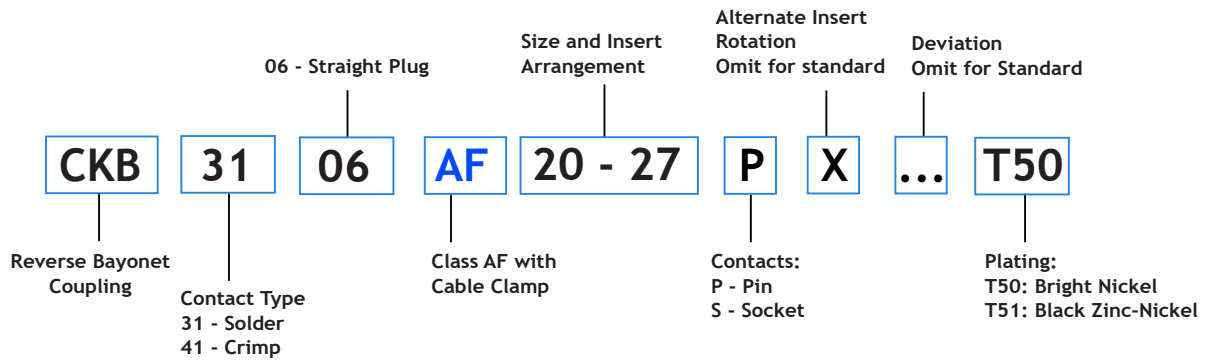
2

Shell size	L Max.	ØQ ±0.2	V Thread
10 SL	44.0	22.6	0.6250 - 24UNEF
14 S	46.4	29.0	0.7500 - 20UNEF
16 S	46.4	31.6	0.8750 - 20UNEF
16	57.8	31.6	0.8750 - 20UNEF
18	57.8	36.2	1.0000 - 20UNEF
20	58.1	39.8	1.1875 - 18UNEF
22	58.1	43.0	1.1875 - 18UNEF
24	59.7	46.4	1.4375 - 18UNEF
28	66.2	53.0	1.4375 - 18UNEF
32	71.3	60.0	1.7500 - 18UNS
36	76.8	66.2	2.0000 - 18UNS
40	76.8	72.3	2.2500 - 16UN

**Application Notes:**

- Straight Plug with thread for clamp (not included, see Section 3)
- Standard configuration: Aluminium Alloy Shells (Stainless Steel option)  
Copper Alloy Silver Plated Contacts (Gold Plated option)  
Polychloroprene elastomer insulator (Fire Resistant Elastomer option)
- For other options contact the factory

### Straight Plug with cable clamp

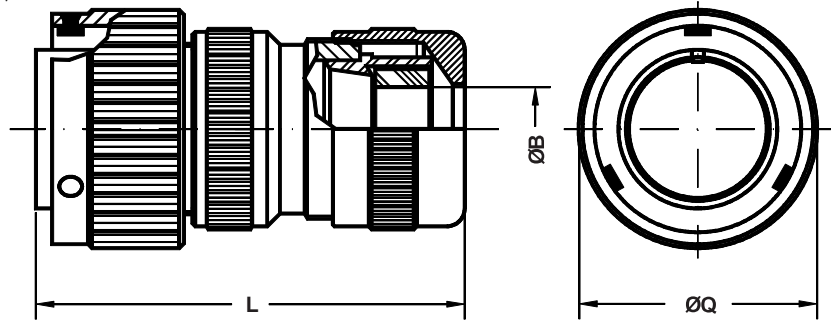
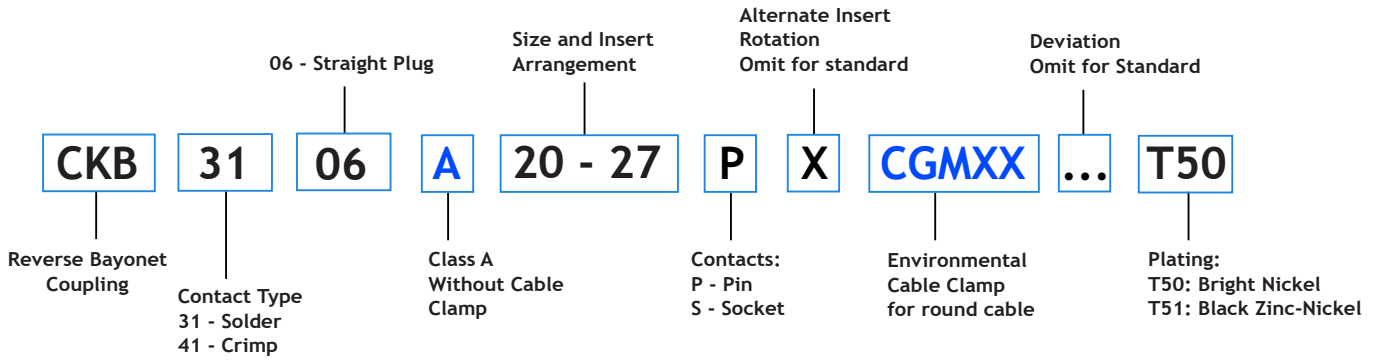


Shell size	ØB ±0.1	L Max.	L1 Max.	ØQ ±0.2
10 SL	5.58	55.0	125	22.6
14 S	7.92	58.4	125	29.0
16 S	11.09	60.4	125	31.6
16	11.09	71.8	135	31.6
18	14.27	77.8	140	36.2
20	15.87	74.0	130	39.8
22	15.87	74.0	130	43.0
24	19.05	76.7	130	46.4
28	19.05	83.2	135	53.0
32	23.79	90.3	140	60.0
36	31.75	96.8	145	66.2
40	34.92	115.8	160	72.3

#### Application Notes:

- Straight plug with cable clamp included
- Standard configuration: Aluminium Alloy Shells (Stainless Steel option)  
Copper Alloy Silver Plated Contacts (Gold Plated option)  
Polychloroprene elastomer insulator (Fire Resistant Elastomer option)
- For other options contact the factory

### Straight Plug with Environmental cable clamp



2

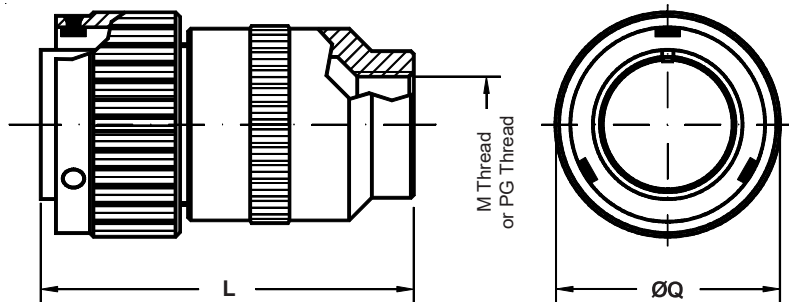
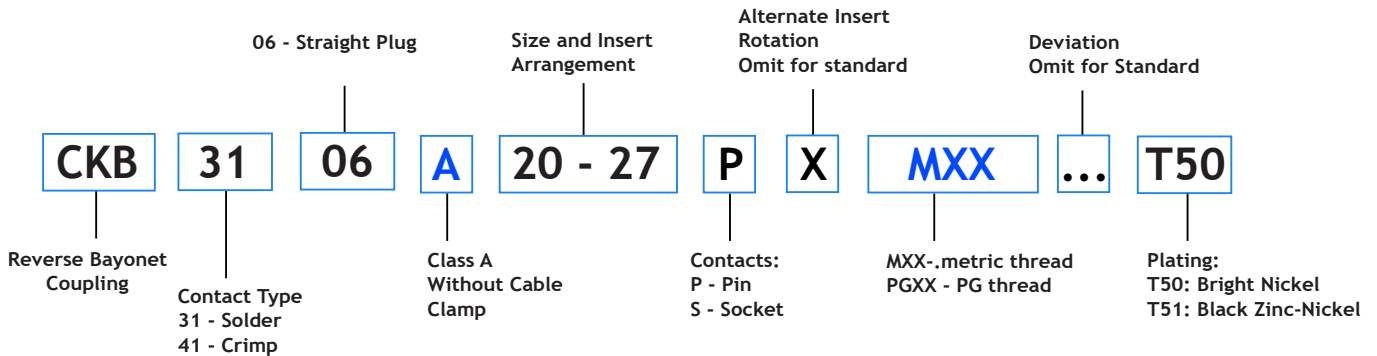
Shell size	X X	ØB min. ÷ Max.	L Max.	ØQ ±0.2
10 SL	9	2÷9	60	22.6
14 S	11	4÷11	60	29.0
16 S	11	4÷11	60	31.6
16	11	4÷11	70	31.6
18	11 / 18	4÷11 / 7÷17	70	36.2
20	11 / 18	4÷11 / 7÷17	70	39.8
22	18	7÷17	70	43.0
24	18 / 21 / 25	7÷17 / 12÷21 / 18÷25	80	46.4
28	18 / 21 / 25	7÷17 / 12÷21 / 18÷25	80	53.0
32	21 / 25	12÷21 / 18÷25	80	60.0
36	35 *	23÷35	95	66.2
40	35 *	23÷35	95	72.3

\* : Consult the factory

#### Application Notes:

- Straight Plug with Environmental cable clamp, suitable for shielding protection
- Standard configuration: Aluminium Alloy Shells (Stainless Steel option)  
Copper Alloy Silver Plated Contacts (Gold Plated option)  
Polychloroprene elastomer insulator (Fire Resistant Elastomer option)
- For other options contact the factory

### Straight Plug with Metric or PG thread

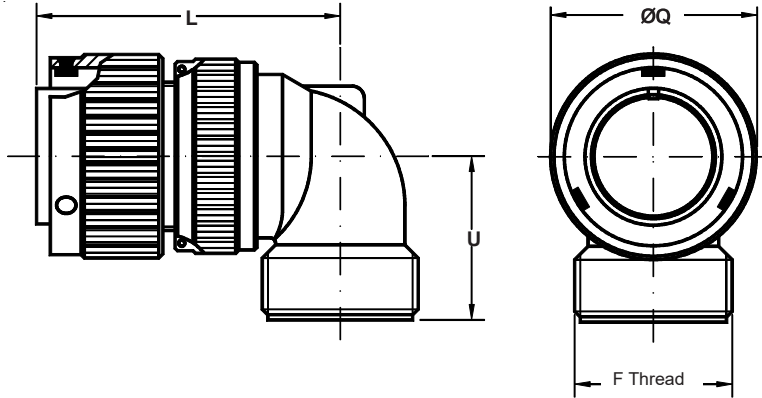
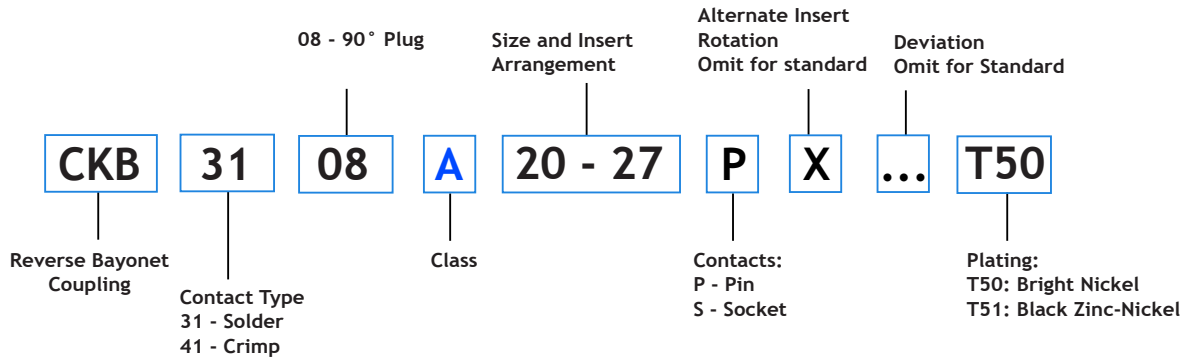


Shell size	MXX Fine Pitch 1,5	L Max.	ØQ ±0.2	PGXX
10 SL	M12	76.0	22.6	PG7 / PG9 / PG11
14 S	M16	81.5	29.0	PG11 / PG16
16 S	M16	83.5	31.6	PG11 / PG16
16	M16	92.0	31.6	PG11 / PG16
18	M20	101.5	36.2	PG11 / PG13.5 / PG16 / PG21
20	M25	104.5	39.8	PG16 / PG21 / PG29
22	M25	104.5	43.0	PG16 / PG21 / PG29
24	M32	110.5	46.4	PG16 / PG21 / PG29
28	M32	115.5	53.0	PG16 / PG21 / PG29
32	M36	121.5	60.0	PG21 / PG29
36	M40	136.5	66.2	PG21 / PG29
40	M50	141.5	72.3	PG21 / PG29 / PG36

#### Application Notes:

- Straight Plug with Metric or PG internal thread. Suitable for clamp or adapter (not included)
- Standard configuration: Aluminium Alloy Shells (Stainless Steel option)  
Copper Alloy Silver Plated Contacts (Gold Plated option)  
Polychloroprene elastomer insulator (Fire Resistant Elastomer option)
- For other options contact the factory

### 90° Plug with cable clamp Mounting thread



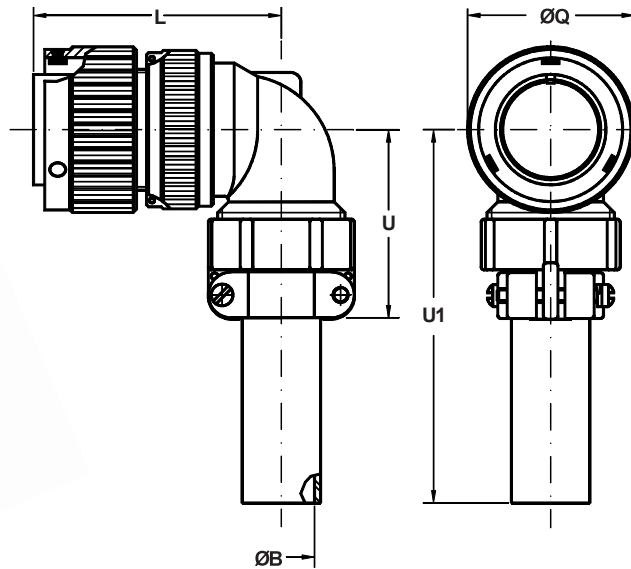
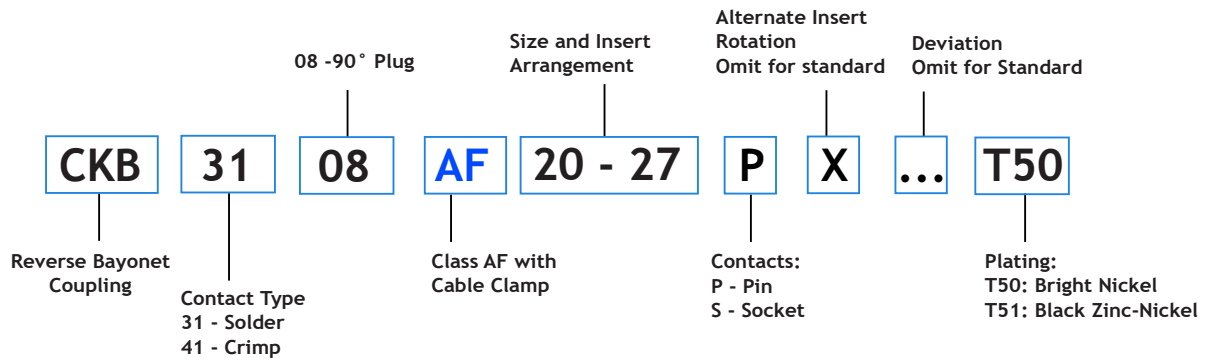
2

Shell size	F Thread	L Max.	ØQ ±0.2	U ±0.2
10 SL	0.6250 - 24UNEF	40	22.6	25.0
14 S	0.7500 - 20UNEF	42	29.0	26.5
16 S	0.8750 - 20UNEF	46	31.6	27.0
16	0.8750 - 20UNEF	55	31.6	27.0
18	1.0000 - 20UNEF	57	36.2	30.0
20	1.1875 - 18UNEF	62	39.8	32.0
22	1.1875 - 18UNEF	62	43.0	32.0
24	1.4375 - 18UNEF	67	46.4	37.0
28	1.4375 - 18UNEF	67	53.0	38.0
32	1.7500 - 18UNS	72	60.0	45.5
36	2.0000 - 18UNS	75	66.2	47.2
40	2.2500 - 16UN	78	72.3	52.0

**Application Notes:**

- 90° Plug with Thread for cable clamp (not included, see Section 3)
- Standard configuration: Aluminium Alloy Shells (Stainless Steel option)  
Copper Alloy Silver Plated Contacts (Gold Plated option)  
Polychloroprene elastomer insulator (Fire Resistant Elastomer option)
- For other options contact the factory

### 90° Plug with cable clamp



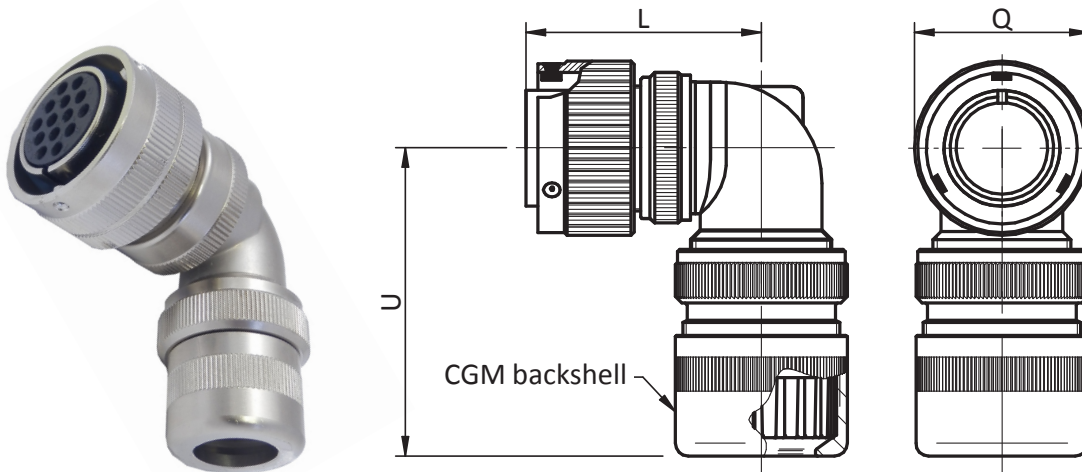
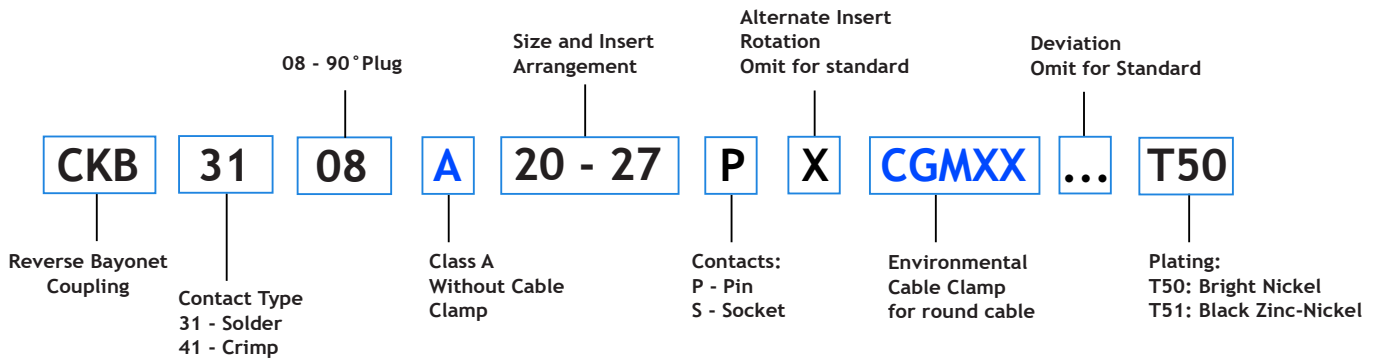
Shell size	ØB ±0.1	L Max.	ØQ ±0.2	U Max.	U1 Max.
10 SL	5.58	40	22.6	36.0	105
14 S	7.92	42	29.0	38.5	105
16 S	11.09	46	31.6	41.0	105
16	11.09	55	31.6	41.0	105
18	14.27	57	36.2	50.0	112
20	15.87	62	39.8	48.0	105
22	15.87	62	43.0	48.0	105
24	19.05	67	46.4	54.0	107
28	19.05	67	53.0	55.0	107
32	23.79	72	60.0	64.5	115
36	31.75	75	66.2	67.2	115
40	34.92	78	72.3	91.0	135

**Application Notes:**

- 90° Plug with cable clamp included
- Standard configuration: Aluminium Alloy Shells (Stainless Steel option)  
Copper Alloy Silver Plated Contacts (Gold Plated option)  
Polychloroprene elastomer insulator (Fire Resistant Elastomer option)
- For other options contact the factory



### 90° Plug with Environmental cable clamp



Shell size	P.N. CGM	ØB min. ÷ Max.	L Max.	ØQ ±0.2	U Max.
10 SL	9	2÷9	40	22.6	60.0
14 S	11	4÷11	42	29.0	61.5
16 S	11	4÷11	46	31.6	60.0
16	11	4÷11	55	31.6	60.0
18	11 / 18	4÷11 / 7÷17	57	36.2	67.0
20	11 / 18	4÷11 / 7÷17	62	39.8	69.0
22	18	7÷17	62	43.0	69.0
24	18 / 21 / 25	7÷17 / 12÷21 / 18÷25	67	46.4	78.0
28	18 / 21 / 25	7÷17 / 12÷21 / 18÷25	67	53.0	79.0
32	21 / 25	12÷21 / 18÷25	72	60.0	90.5
36	35 *	23÷35	75	66.2	92.2
40	35 *	23÷35	78	72.3	97.0

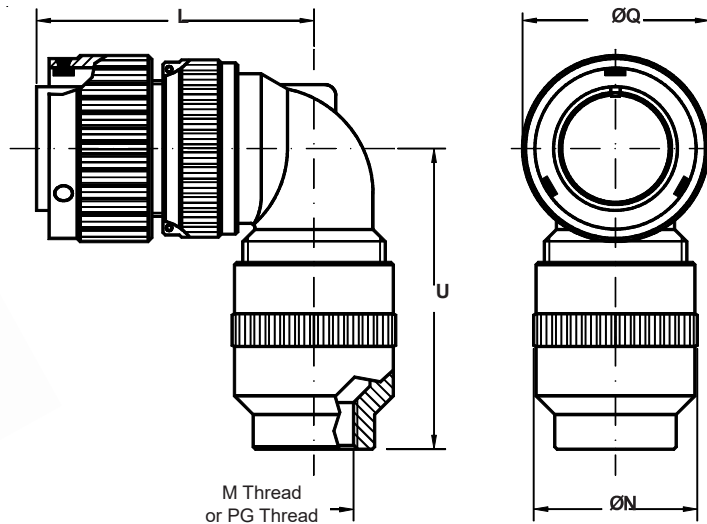
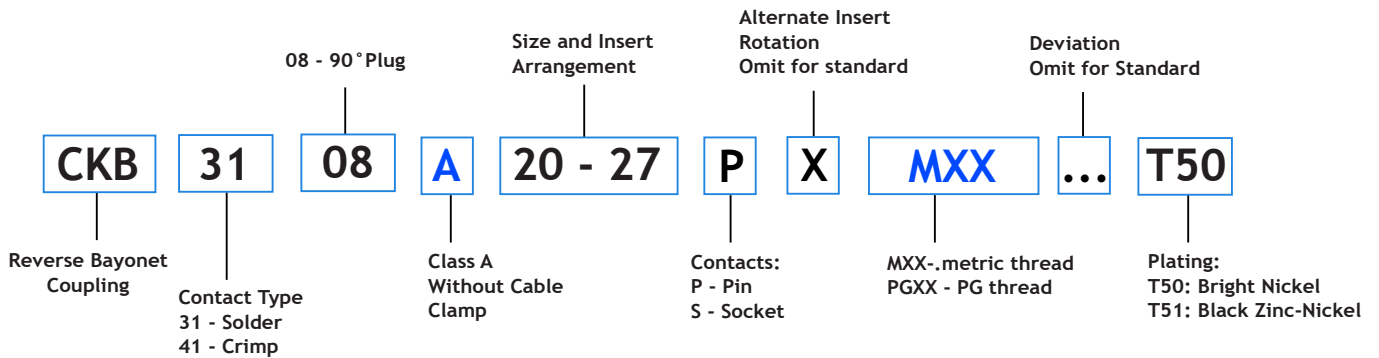
\* : Consult the factory

#### Application Notes:

- 90° Plug with Environmental cable clamp, suitable for shielding protection
- Standard configuration: Aluminium Alloy Shells (Stainless Steel option)  
Copper Alloy Silver Plated Contacts (Gold Plated option)  
Polychloroprene elastomer insulator (Fire Resistant Elastomer option)
- For other options contact the factory



### 90° Plug with Metric or PG thread

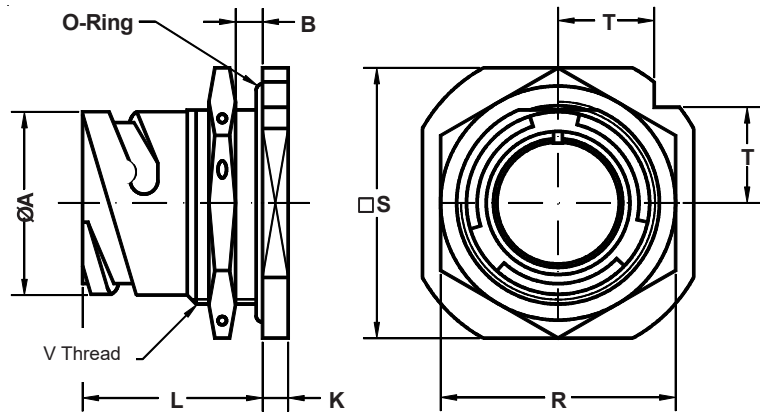
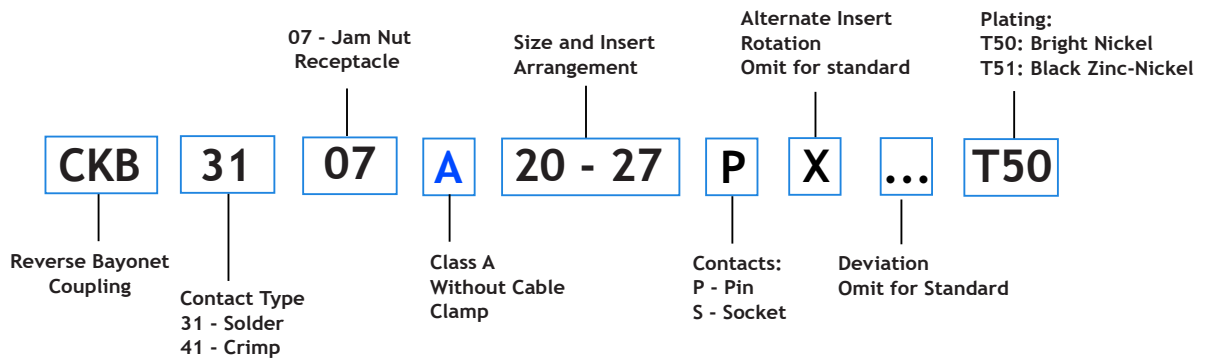


Shell size	L Max.	ØN Max.	MXX Fine Pitch 1,5	ØQ ±0.2	U Max.	PGXX
10 SL	40	25	M12	22.6	50.0	PG7 / PG9 / PG11
14 S	42	26	M16	29.0	51.0	PG11 / PG16
16 S	46	26	M16	31.6	51.5	PG11 / PG16
16	55	26	M16	31.6	51.5	PG11 / PG16
18	57	33	M20	36.2	54.5	PG11 / PG13.5 / PG16 / PG21
20	62	43	M25	39.8	56.5	PG16 / PG21 / PG29
22	62	43	M25	43.0	56.5	PG16 / PG21 / PG29
24	67	45	M32	46.4	61.5	PG16 / PG21 / PG29
28	67	45	M32	53.0	62.5	PG16 / PG21 / PG29
32	72	51	M36	60.0	75.0	PG21 / PG29
36	75	58	M40	66.2	82.7	PG21 / PG29
40	78	63	M50	72.3	87.5	PG21 / PG29 / PG36

#### Application Notes:

- 90° Plug with Metric or PG internal thread. Suitable for clamp or adapter (not included)
- Standard configuration: Aluminium Alloy Shells (Stainless Steel option)  
Copper Alloy Silver Plated Contacts (Gold Plated option)  
Polychloroprene elastomer insulator (Fire Resistant Elastomer option)
- For other options contact the factory

### Jam Nut Receptacle

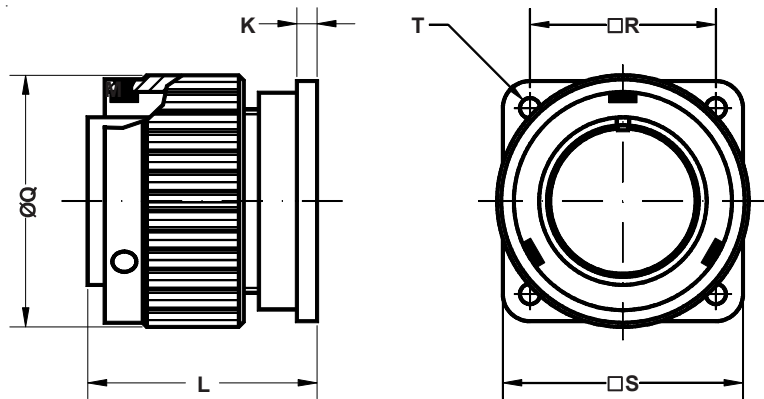
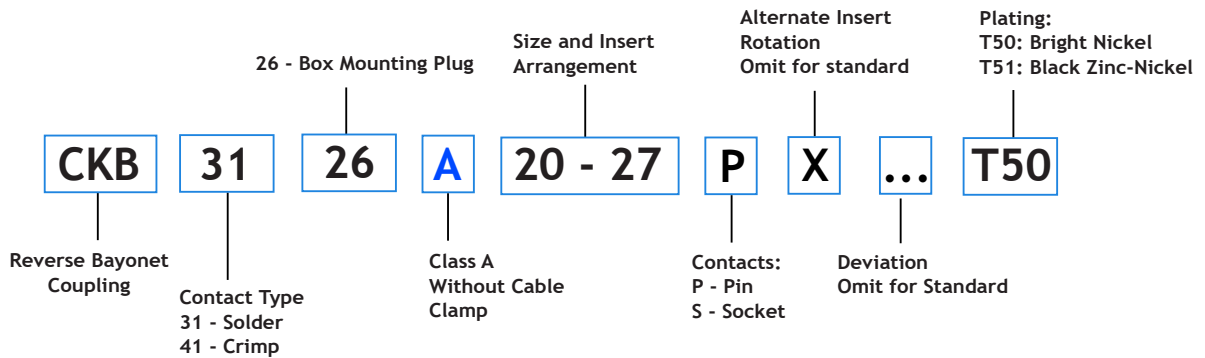


Shell size	ØA +0 -0.1	ØB		K ±0.2	L ±0.1	Ch. R R key	S ±0.2	T	V Thread
		min.	Max.						
10 SL	18.2	2.4	5.2	4.0	24.5	27	31.8	11.2	0.8750 - 20UNEF
14 S	24.5	2.4	7.5	4.8	26.8	33	41.3	14.6	1.1250 - 18UNEF
16 S	27.2	2.4	7.5	4.8	26.8	38	44.4	15.7	1.2500 - 18UNEF
16	27.2	2.4	7.5	4.8	32.2	38	44.4	15.7	1.2500 - 18UNEF
18	30.7	2.4	9.0	4.8	33.7	40	47.6	16.8	1.3750 - 18 UNEF
20	34.0	2.4	9.0	4.8	33.7	44	50.8	18.0	1.5000 - 18UNEF
22	37.3	2.4	9.1	4.8	33.7	46	54.2	20.2	1.6250 - 18UNEF
24	40.9	2.4	9.1	4.8	33.7	51	57.2	20.2	1.7500 - 18UNS
28	46.7	2.4	8.5	5.6	35.2	55	63.5	22.5	2.0000 - 18UNS
32	53.4	2.4	6.5	5.6	35.2	62	69.8	24.7	2.2500 - 16UN
36	59.6	2.4	8.3	5.6	35.2	71	76.2	26.9	2.5000 - 16UN
40	65.5	2.4	8.3	5.6	35.2	75	83.5	29.6	2.7500 - 16UN

#### Application Notes:

- Jam Nut Receptacle
- Standard configuration: Aluminium Alloy Shells (Stainless Steel option)  
Copper Alloy Silver Plated Contacts (Gold Plated option)  
Polychloroprene elastomer insulator (Fire Resistant Elastomer option)
- For other options contact the factory

### Box Mounting Plug



Shell size	K ±0.2	L Max.	ØQ ±0.2	R ±0.1	S +0.2	ØT +0.1 -0
10 SL	2.8	29.9	22.6	18.25	25.4	3.2
14 S	3.3	29.9	29.0	23.00	30.4	3.2
16 S	3.3	35.1	31.6	24.60	32.5	3.2
16	3.3	35.1	31.6	24.60	32.5	3.2
18	4.0	40.2	36.2	27.00	35.0	3.2
20	4.0	43.8	39.8	29.40	38.0	3.2
22	4.0	43.8	43.0	31.75	41.0	3.2
24	4.0	43.8	46.4	34.90	44.5	3.7
28	4.0	44.0	53.0	39.70	50.9	3.7
32	4.0	45.1	60.0	44.45	57.0	4.3
36	4.0	45.1	66.2	49.20	63.5	4.3
40	4.0	45.1	72.3	55.55	69.9	4.3

#### Application Notes:

- Box Mounting Plug
- Standard configuration: Aluminium Alloy Shells (Stainless Steel option)  
Copper Alloy Silver Plated Contacts (Gold Plated option)  
Polychloroprene elastomer insulator (Fire Resistant Elastomer option)
- For other options contact the factory

## MODIFICATIONS

CKB Series proposes several solutions, suitable to solve Market requirements.





Standard Part Number example:

### CKB3106A20-27PT50

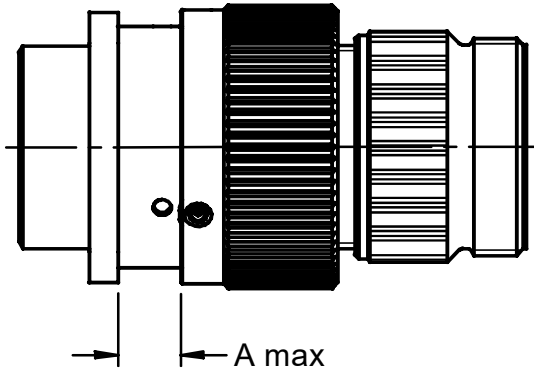
Part Number	Modification
CKB3106A20-27PT <b>03</b> T50	Gold plated contacts
<b>FR</b> CKB3106A20-27PT50	Fire Resistant Insulator. Halogen free. Low smoke toxicity
CKB4106A20-27PT <b>59</b>	Electroless Nickel plated
CKB3106A20-27PT <b>54</b>	Stainless Steel passivated
CKB4106A20-27PL <b>CT</b> 50	Crimp Connector supplied without Contacts, see Section 3
CKB4106A20-27P- <b>XX</b> T50	Connector supplied with modified Crimp contacts, see Section 3
CKB3106 <b>GR</b> 20-27PT50	Environmental backshell for Heat Shrink Tubing
CKB3106 <b>SP</b> 20-27PT50	Environmental EMI / RFI Shield Termination

2

## MODIFICATIONS

Part Number	Modification
 <p><b>CKB3106RK20-27PT50</b></p>	<p>Connector with Arctic Coupling Nut</p>
 <p><b>CKB3106AC20-27PT50</b></p>	<p>Connector with environmental cable clamp, see Section 3</p>
 <p><b>CKB3106AL20-27PT50</b></p>	<p>Connector with longer backshell for easier cable assembly, see Section 3</p>
 <p><b>CKB3106F20-27PT50</b></p>	<p>Connector with sealing grommet for single wires</p>
 <p><b>CKB3106A20-27PTCT54</b></p>	<p>High Temperature -40 / +250°C plastic insert and crimp thermocouple Contacts</p> <p><b>See HIGH TEMPERATURES Catalog</b></p>

## Panel Requirements

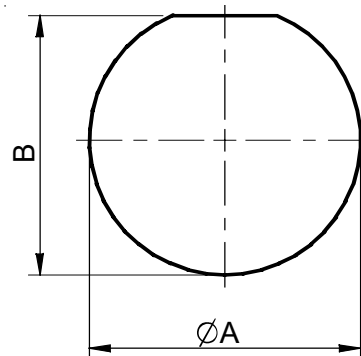
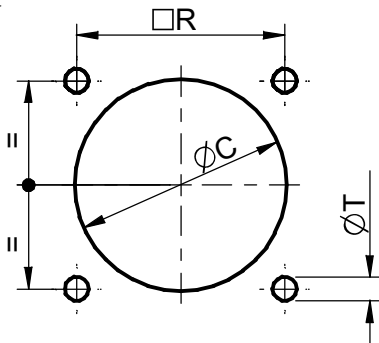


Maximum panel thickness

Panel thickness for type 00, 02 connectors used for rear mounting											
Shell Size	10SL	14S	16S 16	18	20	22	24	28	32	36	40
<b>A</b>	3,70	3,70	3,70	3,70	3,70	3,70	5,25	5,25	6,10	6,10	6,00

Panel thickness for type 03, 030 and 038 connectors (with threaded holes)											
Shell Size	10SL	14S	16S 16	18	20	22	24	28	32	36	40
<b>A</b>	7,20	7,20	7,20	7,50	7,50	7,50	7,50	7,50	7,50	7,50	7,50



Panel cutout

Panel cutout for type 00, 02 , 026 connectors (front panel mounting)											
Shell Size	10SL	14S	16S 16	18	20	22	24	28	32	36	40
<b>ØC</b>	17,0	20,0	23,0	26,5	30,0	33,0	36,0	42,0	48,5	55,0	61,0
<b>R ±0,1</b>	18,2	23,0	24,6	27,0	29,4	31,8	34,9	39,7	44,5	49,2	55,5
<b>ØT</b>	3,4	3,4	3,4	3,4	3,4	3,4	3,9	3,9	4,5	4,5	4,5

Panel cutout for type 03, 030 connectors (rear panel mounting)											
Shell Size	10SL	14S	16S 16	18	20	22	24	28	32	36	40
<b>ØC</b>	19,1	25,5	28,3	31,7	35,0	38,3	41,8	47,6	54,3	60,5	66,4
<b>R ±0,1</b>	18,2	23,0	24,6	27,0	29,4	31,8	34,9	39,7	44,5	49,2	55,5
<b>ØT</b>	4,5	4,5	4,5	4,5	4,5	4,5	4,5	5,5	5,5	5,5	5,5

Panel cutout for type 07 connectors (jam nut receptacles)											
Shell Size	10SL	14S	16S 16	18	20	22	24	28	32	36	40
<b>ØA +0,25</b>	22,40	28,75	31,95	35,10	38,30	41,45	44,65	51,00	57,35	63,70	70,05
<b>B -0,35</b>	21,00	27,40	30,95	33,75	36,85	40,05	43,35	49,55	55,95	62,35	68,55

2

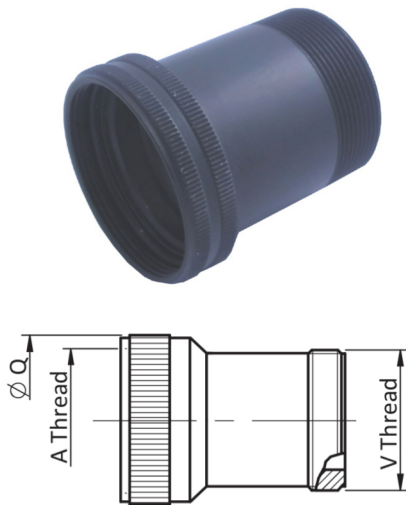
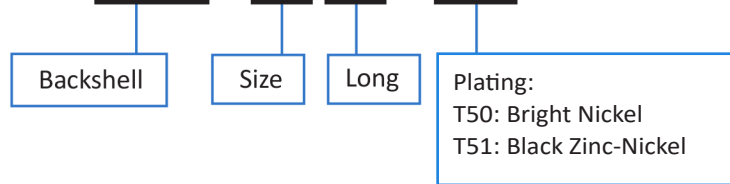


**ACCESSORIES**

**Long Backshell**

Suitable for CKB00A..LB, CKB01A..LB, C KB06A..LB (see Section 2)  
3057 cable clamp not included

**B011 - 20 AL - T50**



**Technical Data**

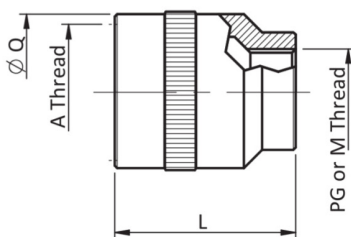
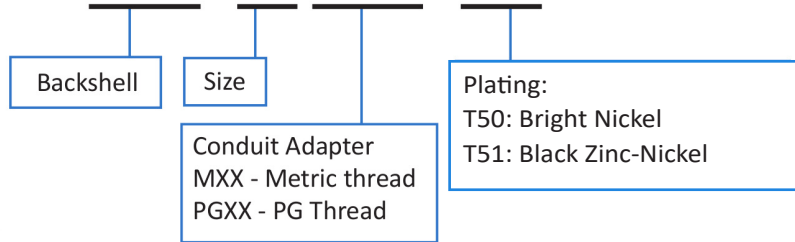
Shell Size	A Thread	L Max.	Q ±0.2	V Thread
10 SL	0.6250 - 24UNEF	70.0	24.1	0.6250 - 24UNEF
14 S	0.8750 - 20UNEF	70.0	28.0	0.7500 - 20UNEF
16 S	1.0000 - 20UNEF	70.0	31.5	0.8750 - 20UNEF
16	1.0000 - 20UNEF	80.0	31.5	0.8750 - 20UNEF
18	1.1250 - 18UNEF	80.0	34.0	1.0000 - 20UNEF
20	1.1250 - 18UNEF	80.0	37.2	1.1875 - 18UNEF
22	1.3750 - 18UNEF	80.0	40.4	1.1875 - 18UNEF
24	1.5000 - 18UNEF	90.0	43.5	1.4375 - 18UNEF
28	1.7500 - 18UNS	90.0	49.9	1.4375 - 18UNEF
32	2.0000 - 18UNS	90.0	56.0	1.7500 - 16UN
36	2.2500 - 16UN	90.0	62.5	2.0000 - 16UN
40	2.5000 - 16UN	90.0	69.0	2.2500 - 16UN

For Additional Information or Different Requests, Please Contact the Factory

3

Suitable for CKB00A, CKB01A, CKB06A, CKB 08A connectors (see Section 2)

**B011 - 20 MXX - T50**



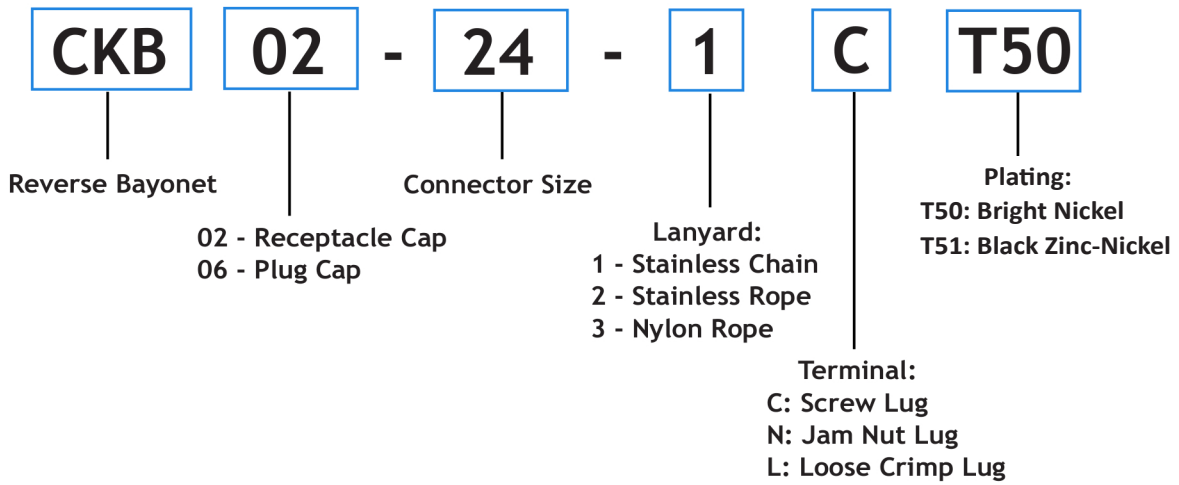
**Technical Data**

Shell Size	A Thread	L Max.	Q ±0.2	PGXX	MXX
10 SL	0.6250 - 24UNEF	30.0	22.5	7 / 9 / 11	M12X1,5
14 S	0.8750 - 20UNEF	32.0	23.5	11 / 13.5	M16X1,5
16 S	1.0000 - 20UNEF	32.0	25.5	9 / 11 / 16	M16X1,5
16	1.0000 - 20UNEF	32.0	25.5	9 / 11 / 16	M16X1,5
18	1.1250 - 18UNEF	40.0	30.5	11 / 13.5 / 16 / 21	M20X1,5
20	1.1250 - 18UNEF	42.0	35.5	16 / 21 / 29	M25X1,5
22	1.3750 - 18UNEF	42.0	35.5	16 / 21 / 29	M25X1,5
24	1.5000 - 18UNEF	42.0	40.5	16 / 21 / 29	M32X1,5
28	1.7500 - 18UNS	47.0	45.5	16 / 21 / 29	M32X1,5
32	2.0000 - 18UNS	52.0	52.5	21 / 29	M36X1,5
36	2.2500 - 16UN	57.0	60.0	21 / 29	M40X1,5
40	2.5000 - 16UN	62.0	63.5	21 / 29 / 36	M40X1,5

For Additional Information or Different Requests, Please Contact the Factory

**ACCESSORIES**

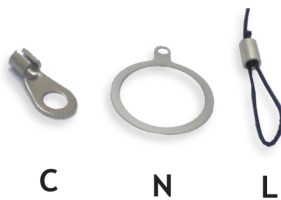
**Metal Connector Caps**



Lanyard:



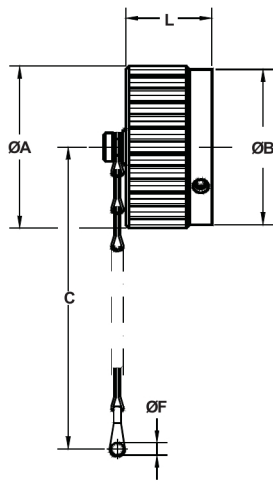
Terminal:



Receptacle Cap



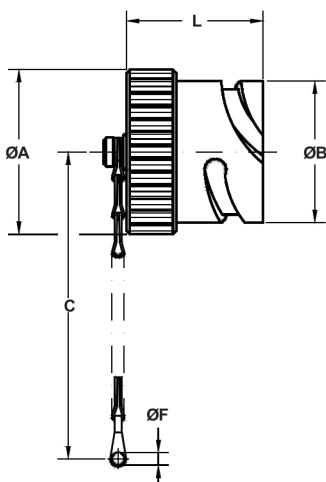
Plug Cap



**Receptacle Cap**

Connector Size	ØA Max.	ØB ±0.1	C min.	ØF ±0.2	L Max.
10SL	22.7	22.4	108	4.3	15.5
14S	29.1	28.8	108	4.3	15.5
16S	32.5	31.6	108	4.3	15.5
16	32.5	31.6	123	4.3	21.2
18	36.4	35.1	123	4.3	21.2
20	39.8	38.5	123	4.3	21.2
22	43.0	41.7	123	4.3	21.2
24	46.5	45.2	123	4.3	21.2
28	53.3	52.0	206	5.6	21.2
32	60.0	58.7	206	5.6	21.2
36	66.2	64.9	206	5.6	21.2
40	72.3	71.3	206	5.6	21.2

For Additional Information or Different Requests, Please Contact the Factory



**Plug Cap**

Connector Size	ØA Max.	ØB ±0.1	C min.	ØF ±0.2	L Max.
10SL	22.7	18.2	108	4.3	24.0
14S	30.0	24.6	123	4.3	24.0
16S	32.5	27.4	123	4.3	24.0
16	32.5	27.4	123	4.3	33.0
18	36.4	30.8	123	4.3	33.0
20	40.5	34.2	138	4.8	33.0
22	43.5	37.4	138	4.8	33.0
24	46.5	40.9	138	4.8	33.0
28	54.0	46.7	206	4.8	33.0
32	60.0	53.4	206	5.6	34.2
36	66.2	59.6	206	5.6	34.2
40	73.0	65.5	206	5.6	34.2

For Additional Information or Different Requests, Please Contact the Factory

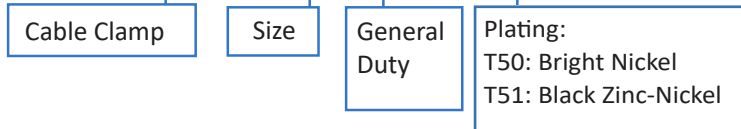
3



## ACCESSORIES

### General Duty Cable Clamp

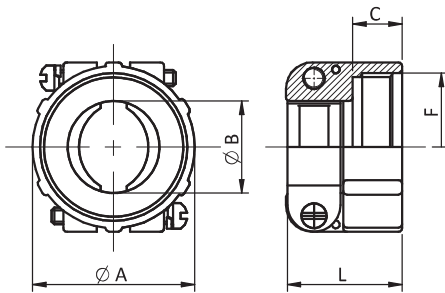
**3057 - 20 A - T50**



#### Technical Data

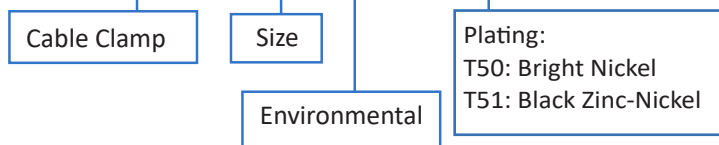
Part Number	Shell Size	Sleeve to Use	ØA	ØB	C	L	F Thread
3057-4A	10 SL	3420-4	25.0	8.2	10.2	21.0	0.6250-24UNEF
3057-6A	14 S	3420-4 / 6	27.0	11.2	10.2	22.2	0.7500-20UNEF
3057-8A	16 S - 16	3420-6 / 8	28.0	14.2	10.2	24.0	0.8750-20UNEF
3057-10A	18	3420-6 / 10	33.0	16.0	10.2	28.5	1.0000-20UNEF
3057-12A	20 - 22	3420-8 / 12	35.0	19.0	10.2	24.0	1.1875-18UNEF
3057-16A	24 - 28	3420-8 / 12 / 16	43.0	23.8	10.5	26.0	1.4375-18UNEF
3057-20A	32	3420-12 / 16 / 20	51.0	31.7	12.5	28.0	1.7500-18UNS
3057-24A	36	3420-16 / 18 / 24	58.0	35.0	14.0	29.4	2.0000-18UNS
3057-28A	40	3420-16 / 20 / 28	65.0	41.2	14.0	42.8	2.2500-16UN

For Additional Information or Different Requests, Please Contact the Factory



### Water Tight Cable Clamp

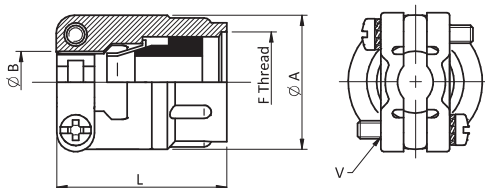
**3057 - 20 C - T50**



#### Technical Data

Part Number	Shell Size	Sleeve to Use	ØA	ØB	C	L	F Thread
3057-4C	10 SL	3420-4A	25.0	8.2	10.2	21.0	0.6250-24UNEF
3057-6C	14 S	3420-4A / 6A	27.0	11.2	10.2	22.2	0.7500-20UNEF
3057-8C	16 S - 16	3420-6A / 8A	28.0	14.2	10.2	24.0	0.8750-20UNEF
3057-10C	18	3420-6A / 10A	33.0	16.0	10.2	28.5	1.0000-20UNEF
3057-12C	20 - 22	3420-8A / 12A	35.0	19.0	10.2	24.0	1.1875-18UNEF
3057-16C	24 - 28	3420-8A / 12A / 16A	43.0	23.8	10.5	26.0	1.4375-18UNEF
3057-20C	32	3420-12A / 16A / 20A	51.0	31.7	12.5	28.0	1.7500-18UNS
3057-24C	36	3420-16A / 18A / 24A	58.0	35.0	14.0	29.4	2.0000-18UNS
3057-28C	40	3420-16A / 20A / 28A	65.0	41.2	14.0	42.8	2.2500-16UN

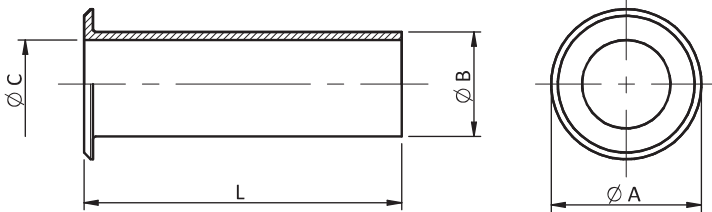
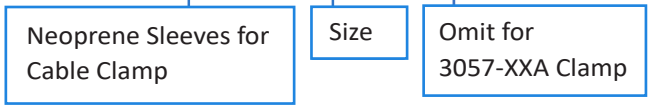
For Additional Information or Different Requests, Please Contact the Factory



**ACCESSORIES**

**Neoprene Sleeves for 3057-A Clamp**

**3420 - 20**



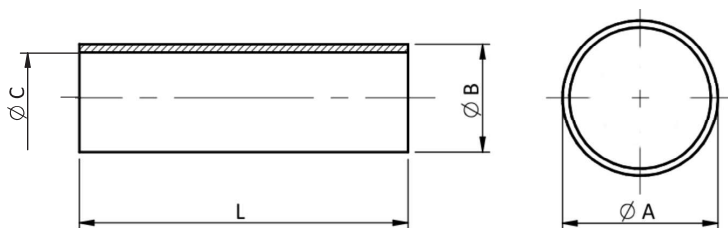
**Technical Data**

Part Number	ØA ±0.1	ØB ±0.1	ØC ±0.1	L ±0.1
3420 - 4	12.8	7.67	5.58	69.8
3420 - 6	15.7	10.84	7.92	66.8
3420 - 8	18.8	14.02	11.09	63.5
3420 - 10	22.0	15.62	14.27	60.3
3420 - 12	27.0	18.79	15.87	57.1
3420 - 16	33.3	23.54	19.05	53.9
3420 - 20	40.5	31.49	23.79	50.8
3420 - 24	46.9	34.67	31.75	47.6
3420 - 28	52.9	40.99	34.92	44.4

**3**

**Neoprene Sleeves for 3057-XXA Clamp**

**3420 - 20 A**

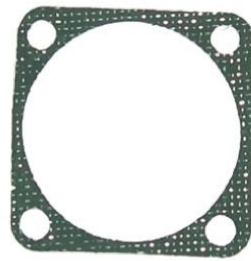


**Technical Data**

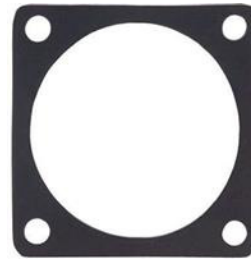
Part Number	ØB ±0.1	ØC ±0.1	L ±0.1
3420 - 4A	7.63	5.56	50.5
3420 - 6A	10.50	7.93	50.5
3420 - 8A	13.50	11.10	50.5
3420 - 10A	15.70	11.10	50.5
3420 - 12A	18.50	13.74	50.9
3420 - 16A	23.60	19.00	50.9
3420 - 20A	31.10	23.80	50.2
3420 - 24A	33.90	28.50	51.1
3420 - 28A	40.60	31.80	50.2
3420 - 29A	45.00	41.00	50.5

**ACCESSORIES**

**Gasket for Receptacles**



**Conductive**



**Non Conductive  
Neoprene rubber**

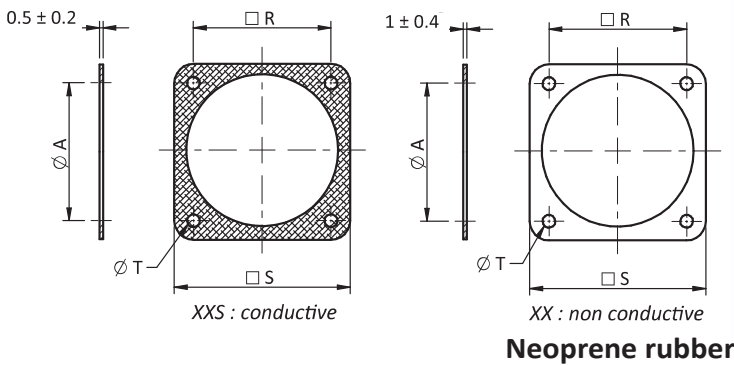
**Front Panel Receptacle B096 - 20 -**

Omit for Non Conductive  
S : Conductive

**Technical Data**

Part Number	Shell Size	ØA +1	R ±0.2	S ±0.5	ØT +0.5
B096 - 10	10SL	15.7	18.2	25.4	4.2
B096 - 14	14S	22.1	23.0	30.0	4.2
B096 - 16	16S - 16	25.3	24.6	32.5	4.2
B096 - 18	18	28.4	27.0	35.0	4.2
B096 - 20	20	31.6	29.4	38.0	4.2
B096 - 22	22	34.8	31.8	41.0	4.2
B096 - 24	24	38.0	34.9	44.5	4.2
B096 - 28	28	44.3	39.7	50.8	5.1
B096 - 32	32	50.7	44.5	57.0	5.1
B096 - 36	36	57.0	49.2	63.5	5.1
B096 - 40	40	61.9	55.5	69.9	5.1

For Additional Information or Different Requests, Please Contact the Factory



**Neoprene rubber**

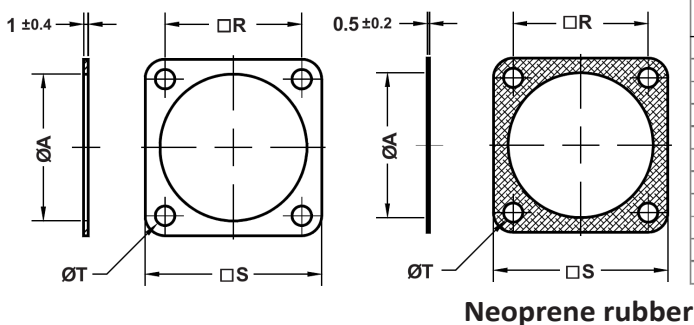
**Rear Panel Receptacle C096 - 20 -**

Omit for Non Conductive  
S : Conductive

**Technical Data**

Part Number	Shell Size	ØA +0.3	R ±0.2	S ±0.5	ØT +0.5
C096 - 10	10SL	18.2	18.2	25.4	4.2
C096 - 14	14S	24.6	23.0	30.0	4.2
C096 - 16	16S - 16	27.4	24.6	32.5	4.2
C096 - 18	18	30.8	27.0	35.0	4.2
C096 - 20	20	34.2	29.4	38.0	4.2
C096 - 22	22	37.4	31.8	41.0	4.2
C096 - 24	24	40.9	34.9	44.5	4.2
C096 - 28	28	46.7	39.7	50.8	5.1
C096 - 32	32	53.4	44.5	57.0	5.1
C096 - 36	36	59.6	49.2	63.5	5.1
C096 - 40	40	65.5	55.5	69.9	5.1

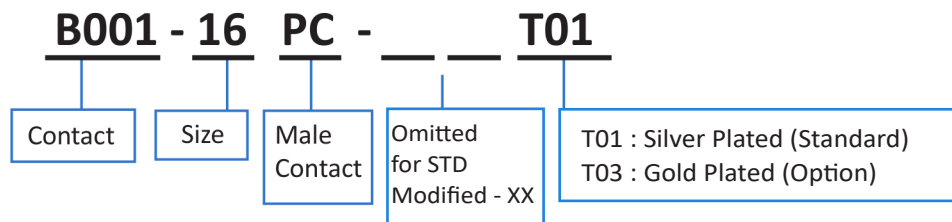
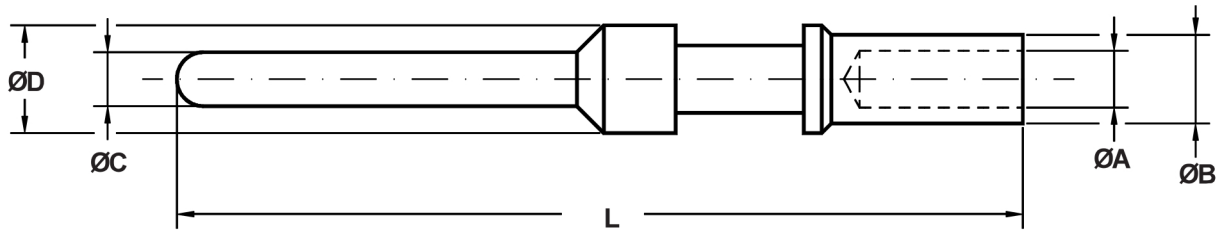
For Additional Information or Different Requests, Please Contact the Factory



**Neoprene rubber**

**3**

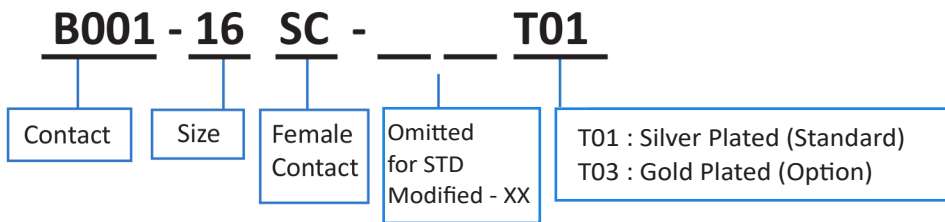
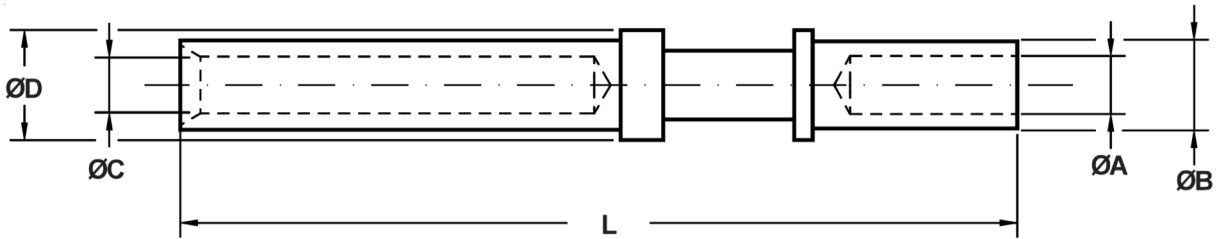
## PIN CRIMP CONTACTS



Part Number	Size	Section mm <sup>2</sup>	AWG	A	B ±0.1	C ±0.05	D ±0.1	L ±0.1	Modified -XX
B001-18PC T01	18	0.15 / 0.6	26 / 20	1.30	1.93	1.40	2.2	29.60	STD
B001-16SPC T01	16S	1 / 1.5	18 / 16	1.70	2.60	1.58	3.2	26.65	STD
B001-16SPC-13 T01	16S	0.15 / 0.6	26 / 20	1.30	1.93	1.58	3.2	26.65	-13
B001-16SPC-15 T01	16S	1	18	1.50	2.60	1.58	3.2	26.65	-15
B001-16SPC-20 T01	16S	2	14	2.00	2.90	1.58	3.2	26.65	-20
B001-16PC T01	16	1 / 1.5	18 / 16	1.70	2.60	1.58	3.2	31.75	STD
B001-16PC-08 T01	16	0.15 / 0.2	26 / 24	0.85	1.55	1.58	3.2	31.75	-08
B001-16PC-13 T01	16	0.15 / 0.6	26 / 20	1.30	1.93	1.58	3.2	31.75	-13
B001-16PC-15 T01	16	1	18	1.50	2.60	1.58	3.2	31.75	-15
B001-16PC-20 T01	16	2	14	2.00	2.90	1.58	3.2	31.75	-20
B001-16PC-26 T01	16	3	12	2.50	3.80	1.58	3.2	31.75	-26
B001-12PC T01	12	3	12	2.50	3.90	2.38	4.8	37.65	STD
B001-12PC-12 T01	12	0.6	20	1.20	2.60	2.38	4.8	37.65	-12
B001-12PC-20 T01	12	1/2	18 / 14	2.00	3.80	2.38	4.8	37.65	-20
B001-12PC-22 T01	12	2.5		2.20	3.80	2.38	4.8	37.65	-22
B001-12PC-30 T01	12	4		3.00	4.80	2.38	4.8	37.65	-30
B001-12PC-38 T01	12	6		3.60	4.80	2.38	4.8	37.65	-38
B001-8PC T01	8	6/8	8	4.50	6.90	3.59	7.8	42.00	STD
B001-8PC-50 T01	8	10		5.00	6.90	3.59	7.8	42.00	-50
B001-4PC T01	4	22	4	7.15	9.53	5.70	11.1	42.00	STD
B001-0PC T01	0	50/60	0	11.50	14.30	9.05	15.1	45.00	STD
B001-0PC-35 T01	0	35		9.00	14.35	9.05	15.1	45.00	-35

All crimp connectors includes silver plated contacts (T01 suffix).  
 Standard and modified contacts can be supplied as spare parts.  
 See our **“Assembly Instructions”** catalogue.

3

**SOCKET CRIMP CONTACTS**


Part Number	Size	Section mm <sup>2</sup>	AWG	A	B ±0.1	C ±0.05	D ±0.1	L ±0.1	Modified -XX
B001-18SC T01	18	0.15 / 0.6	26 / 20	1.30	1.93	1.48	2.2	34.40	STD
B001-16SSC T01	16S	1 / 1.5	18 / 16	1.70	2.60	1.65	3.2	26.60	STD
B001-16SSC-13 T01	16S	0.15 / 0.6	26 / 20	1.30	1.93	1.65	3.2	26.65	-13
B001-16SSC-15 T01	16S	1	18	1.50	2.60	1.65	3.2	26.65	-15
B001-16SSC-20 T01	16S	2	14	2.00	2.90	1.65	3.2	26.65	-20
B001-16SC T01	16	1 / 1.5	18 / 16	1.70	2.60	1.65	3.2	36.50	STD
B001-16SC-08 T01	16	0.15 / 0.2	26 / 24	0.85	1.55	1.65	3.2	36.50	-08
B001-16SC-13 T01	16	0.15 / 0.6	26 / 20	1.30	1.93	1.65	3.2	36.50	-13
B001-16SC-15 T01	16	1	18	1.50	2.60	1.65	3.2	36.50	-15
B001-16SC-20 T01	16	2	14	2.00	2.90	1.65	3.2	36.50	-20
B001-16SC-26 T01	16	3	12	2.50	3.80	1.65	3.2	36.50	-26
B001-12SC T01	12	3	12	2.50	3.90	2.48	4.8	37.65	STD
B001-12SC-12 T01	12	0.6	20	1.20	2.60	2.48	4.8	37.65	-12
B001-12SC-20 T01	12	1 / 2	18 / 14	2.00	3.80	2.48	4.8	37.65	-20
B001-12SC-22 T01	12	2.5		2.20	3.80	2.48	4.8	37.65	-22
B001-12SC-30 T01	12	4		3.00	4.80	2.48	4.8	37.65	-30
B001-12SC-38 T01	12	6		3.60	4.80	2.48	4.8	37.65	-38
B001-8SC T01	8	9	8	4.50	6.75	3.70	7.8	42.00	STD
B001-8SC-50 T01	8	10		5.00	6.90	3.70	7.8	42.00	-50
B001-4SC T01	4	22	4	7.10	9.53	5.80	11.0	42.00	STD
B001-0SC T01	0	50 / 60	0	11.50	14.50	9.17	15.1	44.60	STD
B001-0SC-35 T01	0	0		9.00	14.35	9.17	15.1	44.60	-35

All crimp connectors includes silver plated contacts (T01 suffix). Standard and modified contacts can be supplied as spare parts. See our **“Assembly Instructions”** catalogue.

## INDEX 1

### Section 1 : Technical Reference

Introducing CKB Connector Series .....	page 1
Technical Data .....	page 2
Electrical characteristics.....	page 3
Insert arrangements tables .....	page 4
Insert Arrangements View .....	page 7

### Section 2 : Classes and Styles

How To Order .....	page 25
Classes and Styles .....	page 26
CKB3100A...LB .....	page 28
CKB3100A.....	page 29
CKB3100AF.....	page 30
CKB3100A...CGM .....	page 31
CKB3100A...M /CKB3100A....PG .....	page 32
CKB3101A...LB .....	page 33
CKB3101A .....	page 34
CKB3101AF .....	page 35
CKB3101A...CGM .....	page 36
CKB3101A...M/CKB3101A...PG .....	page 37
CKB3102A .....	page 38
CKB31030A...LB .....	page 39
CKB3103A .....	page 40
CKB3106A...LB .....	page 41
CKB3106A .....	page 42
CKB3106AF .....	page 43
CKB3106A...CGM .....	page 44
CKB3106A...M/CKB3106A....PG .....	page 45
CKB3108A .....	page 46
CKB3180AF .....	page 47
CKB3108A...CGM .....	page 48
CKB3108A...M/CKB3108A...PG .....	page 49
CKB3107A .....	page 50
CKB3126A .....	page 51
Modifications .....	page 52
Panel Requirements Cutout .....	page 54

## INDEX 2

### Section 3 : Accessories

B011- AL Long backshell .....	page 55
B011- M Metric Adapter .....	page 55
B011- PG PG Adapter .....	page 55
CKB02...C Receptacle Cap .....	page 56
CKB06...C Plug Cap .....	page 56
3057- A General Duty Cable Clamp .....	page 57
3057- C Environmental Cable Clamp .....	page 57
3420...A Neoprene Sleeves .....	page 58
3420 Neoprene Sleeves .....	page 58
B096 Front Mount Receptacle Gasket .....	page 59
C096 Rear Mount Receptacle Gasket .....	page 59
B001 PC Pin Crimp Contacts .....	page 60
B001 SC Socket Crimp Contacts .....	page 61
Index 1 .....	page 62
Index 2 .....	page 63
Other products .....	page 64



## OTHERS CONNECTORS AND PRODUCTS



**CKM CONNECTORS**  
MIL-C-5015 POWER AND SIGNAL THREADED CONNECTORS FOR RUGGED MILITARY AND INDUSTRIAL APPLICATIONS

NOVEMBER 2022

RoHS compliant



**CKP CONNECTORS**  
MIL-C-26482 HIGH DENSITY SIGNAL BAYONET CONNECTORS FOR RUGGED MILITARY AND INDUSTRIAL APPLICATIONS

NOVEMBER 2022

RoHS compliant



**CONNETTORI PNEUMATICI ED ELETTROPNEUMATICI**

NOVEMBRE 2020



**CONNECTORS & SOLUTIONS**  
www.connitek.it



**CONNETTORI PER ALTE TEMPERATURE**  
CARATTERISTICHE TECNICHE IN ACCORDO ALLE NORME MIL-DTL-5015, MIL-DTL-26482 E VG95234 FINO A TEMPERATURE DI 250 C°

GENNAIO 2021



**CONNETTORI METRICI PER IMPIEGHI GRAVOSI ED ELEVATE PRESTAZIONI**

GENNAIO 2021

Contact us if your needs have not found a solution.





Connectors and Accessories

---

*Huge Connectors Experience*

*Deep Industrial Market Knowledge*

*Really Customer Oriented*

**CONNITEK S.r.l.**

Via Puccini, 26

40055 - Villanova di Castenaso

Bologna - Italy

Tel.: +39 051 / 4380258

Fax.: +39 051 / 4380259

e-mail: [sales@connitek.it](mailto:sales@connitek.it)

[www.connitek.it](http://www.connitek.it)

---

CONNITEK S.r.l. Authorized Reseller