

CKP CONNECTORS

**MIL-C-26482 HIGH DENSITY SIGNAL BAYONET
CONNECTORS FOR RUGGED MILITARY
AND INDUSTRIAL APPLICATIONS**



MARCH 2024

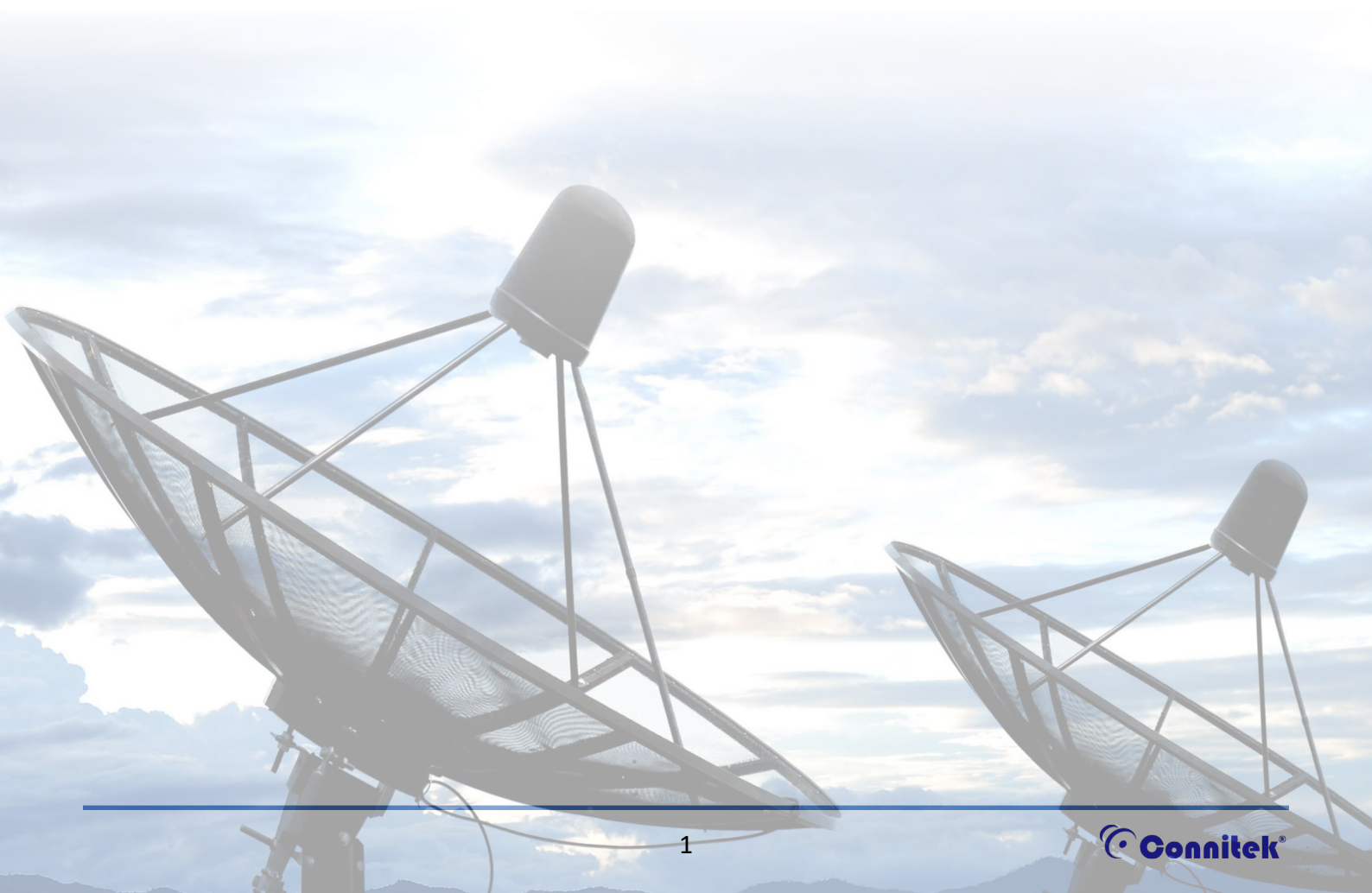
Introducing CKP Connector Series

CKP connectors are designed to be compatible and intermateable with MIL-C-26482 specifications. Very robust, high resistance plating and good electrical performances make CKP suitable for severe environmental conditions, where long life and high reliability are required.

Main Characteristics

- Machined contacts gold plated from 26 to 16 AWG (0,25 – 1,5 mm²), solder, crimp and dip solder.
- Backshell and clamp for round cables, shielded and unshielded, conduit.
- Environmental Solutions (IP67 - IP68).
- Safe and easy coupling system.
- Aluminum shells with five polarization keys for reliable mating system.
- Long term reliability. No maintenance.
- Wide temperature range.
- High electrical performance.
- RoHS compliant.
- Intermateable and interchangeable with Veam VPT, Amphenol 62IN, Cannon KPT, and all MIL-C-26482 connectors compliant.
- Customized solutions available

CKP series is important for Military and Industrial market, when severe conditions require high performances



Technical Data

Material and Platings

COMPONENT	MATERIAL	FINISH
Contacts	Copper Alloy	Gold plated
Insulator	Polichloroprene -55 + 125°C	None
Shells, Coupling Nut, Backshells	Aluminum Alloy (standard) Stainless Steel (optional)	Bright Nickel Black Zinc Nickel None

Finish on demand:

Bright Zinc Nickel (RoHs)
Olive Drab Cadmiun (no RoHs)

T50 - Bright Nickel
RoHS Compliant



T51 - Black Zinc Nickel
RoHS Compliant

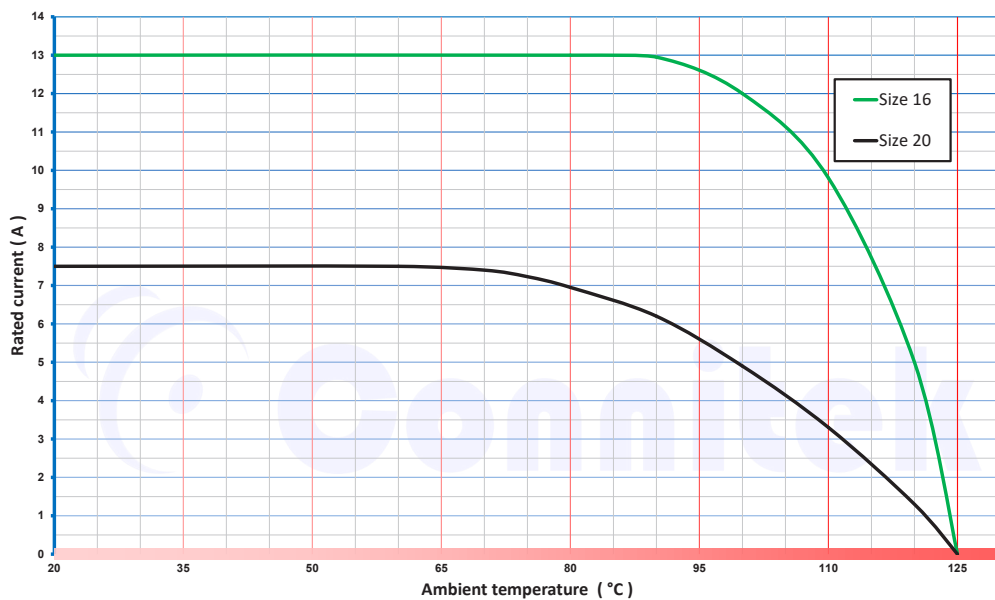
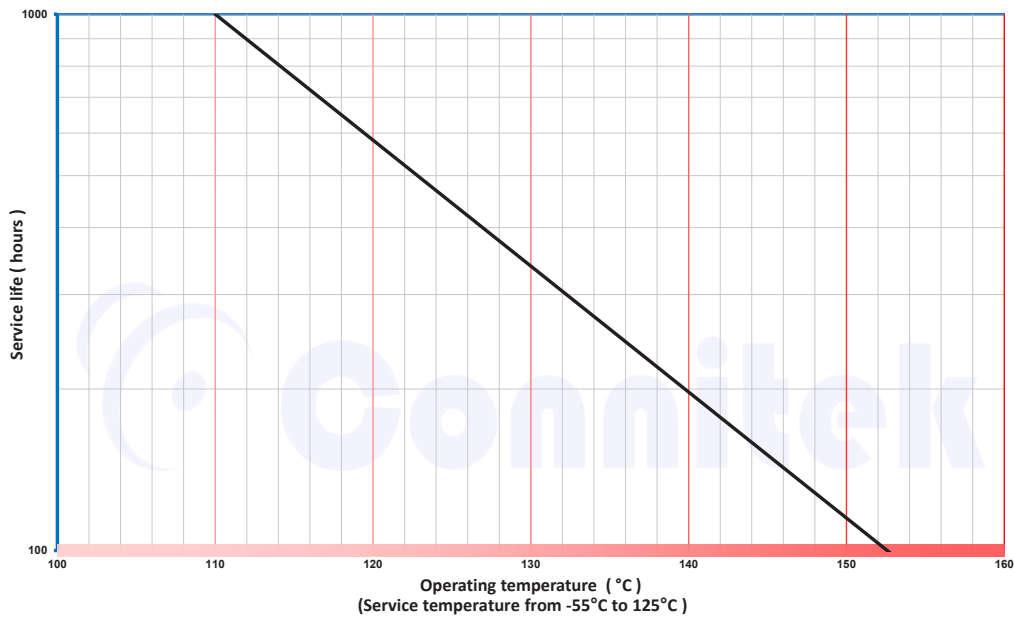


Contacts

Electrical characteristics

Contacts

Part Number	Test current	Potential drop	AWG max.	Wire section max.
20	7.5 A	25 mV	20	0.6 mm ²
20	7.57 A	25 mV	24 - 26	0.40 - 0.50 mm ²
16	13.0 A	21 mV	16	1.2 mm ²



Service Rating

Class	Operating voltage AC	Operating voltage DC	Test voltage AC
I	600	700	1500
II	1000	1250	2300

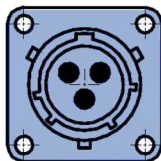
Insert Arrangements Table

Insert Arrangement	Service Rating	Contact Number	Contact Size	Alternate Position - Degrees			
				W	X	Y	Z
8 - 2	I	2	20	58	122		
8 - 3	I	3	20	60	210		
8 - 33	I	3	20	90			
8 - 4	I	4	20	45			
10 - 2	II	2	16				
10 - 6	I	6	20	90			
10 - 7	I	7	20	90			
10 - 8	I	8	20				
12 - 3	II	3	16			180	
12 - 4	I	4	16	38			
12 - 8	I	8	20	90	112	203	292
12 - 10	I	10	20	60	155	270	295
12 - 14	I	14	20	60	155	270	295
14 - 5	II	5	16	40	92	184	273
14 - 12	I	12	16 - 20	43	90		
14 - 12A	II	12	20				
14 - 15	I	15	16 - 20	17	110	155	234
14 - 19	I	19	20	30	165	315	
16 - 8	II	8	16	54	152	180	331
16 - 26	I	26	20	60		275	338
18 - 11	II	11	16	62	119	241	340
18 - 16	II	16	20				
18 - 32	I	32	20	85	138	222	265
20 - 41 *	I	41	20	45	126	225	
22 - 36	I	36	20	72	144	216	288
22 - 55 *	I	55	20	30	142	226	314
24 - 61 *	I	61	20	90	180	270	324

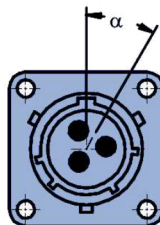
* Consult the factory

Insert Arrangements Alternate Positions

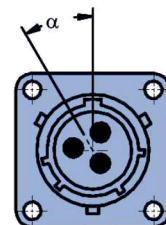
Normal Position



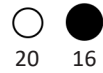
Alternate Position with Pin Contacts



Alternate Position with Socket Contacts



Contact Size Legend

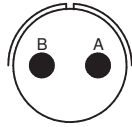


Insert Arrangements - Front View of Pin Inserts

2 Contacts **3 Contacts**



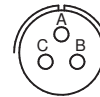
8 - 2



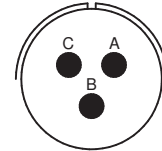
10 - 2



8 - 3

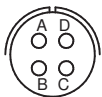


8 - 33

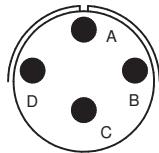


12 - 3

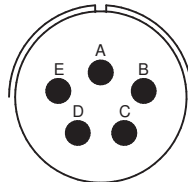
4 Contacts **5 Contacts** **6 Contacts** **7 Contacts**



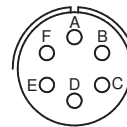
8 - 4



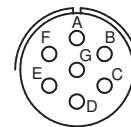
12 - 4



14 - 5

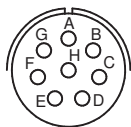


10 - 6

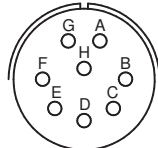


10 - 7

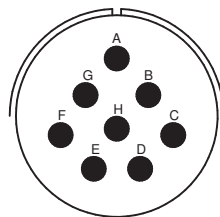
8 Contacts **10 Contacts** **11 Contacts**



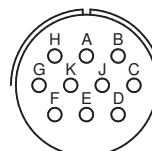
10 - 8



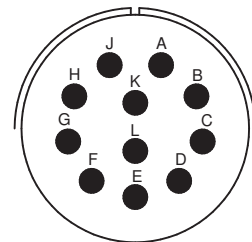
12 - 8



16 - 8

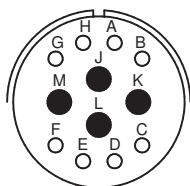


12 - 10

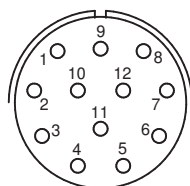


18 - 11

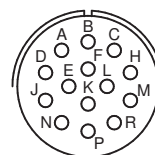
12 Contacts **14 Contacts** **15 Contacts**



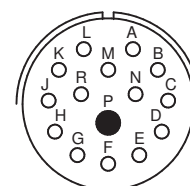
14 - 12



14 - 12A



12 - 14



14 - 15

Contact Size Legend



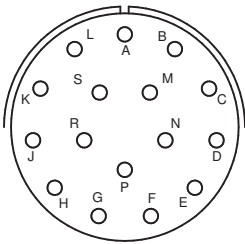
Insert Arrangements - Front View of Pin Inserts

16 Contacts

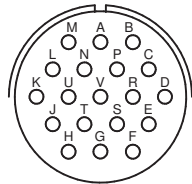
19 Contacts

26 Contacts

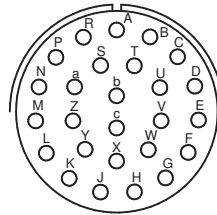
32 Contacts



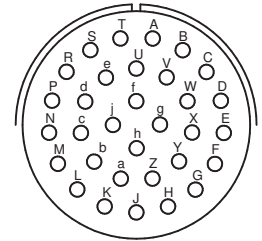
18 - 16



14 - 19



16 - 26

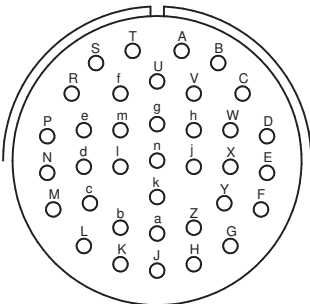


18 - 32

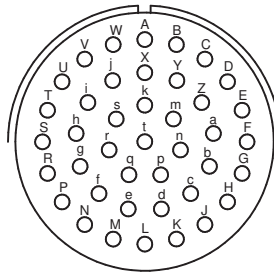
36 Contacts

41 Contacts

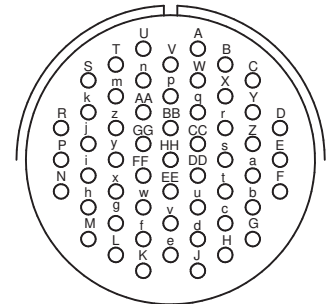
55 Contacts



22 - 36

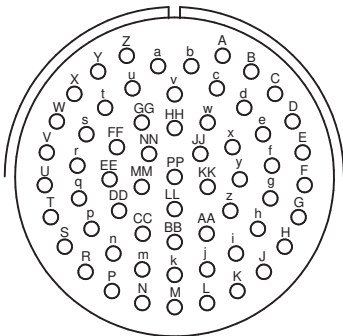


20 - 41 *



22 - 55 *

61 Contacts



24 - 61 *

* : consult the factory

HOW TO ORDER

CKP	06	A	14-19	P	-	X	CGMXX	T50
-----	-----	---	-----	---	---	---	-----	-----
1	2	3	4	5	6	7	8	9

1 - Miniature Bayonet MIL-C-26482 Compatible

2 - Style: 00-01-02-06-07-08 (Section 2)

3 - Class Type: A, E, J, M, Y, W, A..PGXX, A..CGMXX, A..SR, E..SR

4 - Size and contacts arrangement (Section 1)

5 - P : Male contacts.

S : Female contacts

6 - Omit for solder contacts.

C : Machined crimp contacts

LC : Less Contacts

7 - Insert Rotation:Omit for standard

Alternate insert position (Section 1)

8 - Class Type : omit for A , E , J , M , W

A..CGMXX , A..SR , E..SR , A..PGXX (Section 2)

9 - Connector Finish : T50 Bright Nickel

T51 Black Zinc Nickel

T52 Olive Drab Cadmium (no RoHS) - on demand

T57 Bright Zinc Nickel - on demand



Classes and Styles



CKP00A14-19PT50
Front Panel Receptacle
with Backshell



CKP00A14-19PCGMXXT50
Front Panel Receptacle
with environmental Cable
Clamp



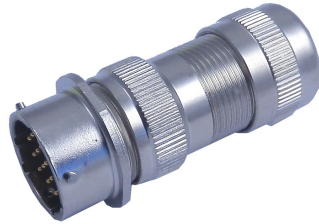
CKP00A14-19PSRT50
CKP00E14-19PSRT50
Front Panel Receptacle with
General Duty Cable Clamp



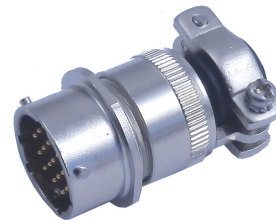
CKP00E14-19PT50
Front Panel Receptacle
with individual wires
sealing grommet



CKP01A14-19PT50
In Line Receptacle with
Backshell



CKP01A14-19PCGMXXT50
In Line Receptacle with
environmental Cable Clamp



CKP01A14-19PSRT50
CKP01E14-19PSRT50
In Line Receptacle with
General Duty Cable Clamp



CKP01E14-19PT50
In Line Receptacle with
individual wires sealing
grommet



CKP02A14-19PT50
Front Panel Receptacle



CKP26A14-19PT50
Panel Plug Connector



CKP02Y14-19PT50
Front Panel receptacle
with Printed Circuit Contacts



CKP02PP14-19PST50
Through Bulkhead Receptacle



CKP06A14-19PT50
Straight Plug with
Backshell



CKP06A14-19PCGMXXT50
Straight Plug with environmental
Cable Clamp



CKP06A14-19PSRT50
CKP06E14-19PSRT50
Straight Plug with General
Duty Cable Clamp



CKP06E14-19PT50
Straight Plug
with individual wires
sealing grommet



CKP08A14-19PT50
90° Plug without Backshell



CKP08A14-19PCGMXXT50
90° Plug with
environmental Cable Clamp



CKP08A14-19PSRT50
CKP08E14-19PSRT50
90° Plug with General
Duty Cable Clamp

Classes and Styles



CKP00J14-19PT50
Front Panel Receptacle with Long Backshell, Gland Seal and Cable Clamp



CKP00W14-19PT50
Front Panel Receptacle with Long Backshell and Gland Seal



CKP00A14-19PPGXXT50
Front Panel Receptacle with internal PG thread



CKP00M14-19PT50
Front Panel Receptacle with Emi Shield and Shrink Boot Backshell



CKP01J14-19PT50
In Line receptacle with Long Backshell, Gland Seal and Cable Clamp



CKP01W14-19PT50
In line Receptacle with Long Backshell and Gland Seal



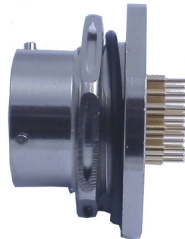
CKP01A14-19PPGXXT50
In line Receptacle with internal PG thread



CKP01M14-19PT50
In line Receptacle with Emi Shield and Shrink Boot Backshell



CKP07A14-19PT50
Rear Panel Jam Nut Receptacle



CKP07Y14-19PT50
Rear Panel Jam Nut Receptacle with Printed Circuit Contacts



CKP07E14-19PT50
Rear Panel Jam Nut Receptacle with Individual Sealing Grommet



CKP06J14-19PT50
Straight Plug with Long Backshell, Gland Seal and Cable Clamp



CKP06W14-19PT50
Straight Plug with Long Backshell and Gland Seal



CKP06A14-19PPGXXT50
Straight Plug with internal PG thread



CKP06M14-19PT50
Straight Plug with Emi Shield and Shrink Boot Backshell



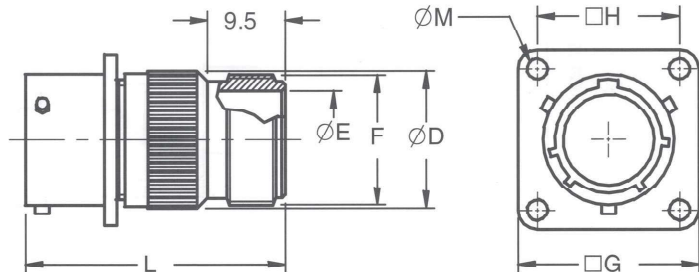
CKP08A14-19PPGXXT50
90° Plug with internal PG thread



CKP08M14-19PT50
90° Plug with Emi Shield and Shrink Boot Backshell

Front Panel receptacle With Backshell

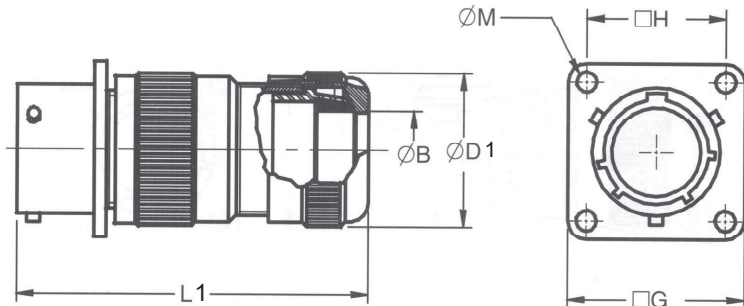
CKP00A14-19PT50



Description : Front Panel Receptacle, suitable for cable clamp 3057-A or 3057-C , not included.

Front Panel receptacle With environmental Cable Clamp

CKP00A14-19PCGMXXT50



Description : Front Panel Receptacle, environmental clamp, suitable for shielded and unshielded cables.

Technical Data

Shell Size	D Max.	F Thread	E Min.	H ±0,1	M -0 +1	G ±0,4	L Max.	CGM XX	B Min. ÷ Max.	D1 Max.	L1 Max.
8	15,00	0,5000-28UNEF	7,55	15,10	3,04	20,6	45,9	7	2÷7	15,0	55,0
10	18,20	0,6250-24UNEF	10,70	18,25	3,04	23,8	45,9	9	2÷9	21,0	55,0
12	21,20	0,7500-20UNEF	13,85	20,60	3,04	26,2	45,9	11	4÷11	24,0	65,0
14	24,60	0,8750-20UNEF	16,85	23,00	3,04	28,6	45,9	11	4÷11	24,0	65,0
16	27,60	1,0000-20UNEF	20,00	24,60	3,04	31,0	45,9	11	4÷11	24,0	65,0
18	30,90	1,1875-18UNEF	22,30	27,00	3,04	33,3	45,9	11/18	4÷11/7÷17	42,0	80,0
20*	33,80	1,1875-18UNEF	25,75	29,35	3,04	36,5	50,0	18	7÷17	42,0	81,5
22*	37,10	1,4375-18UNEF	28,80	31,75	3,04	39,7	50,0	18	7÷17	42,0	81,5
24*	40,25	1,4375-18UNEF	32,00	34,92	3,73	42,9	50,0	18/21	7÷17/12÷21	45,0	85

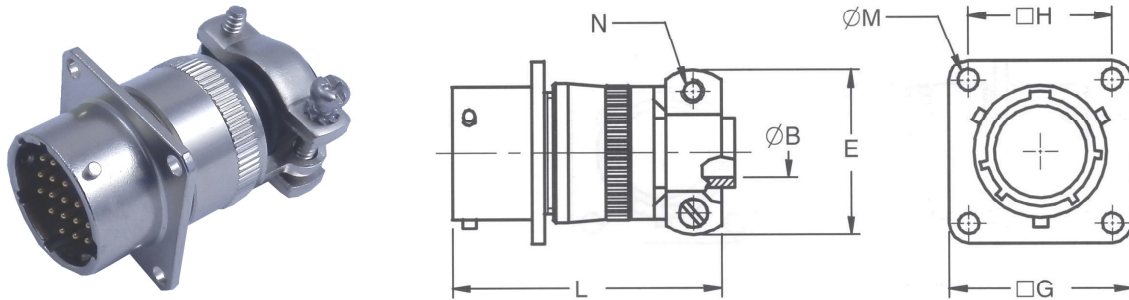
*consult the factory

Front Panel Receptacle with General Duty Cable Clamp

CKP00A14-19PSRT50

CKP00E14-19PSRT50*

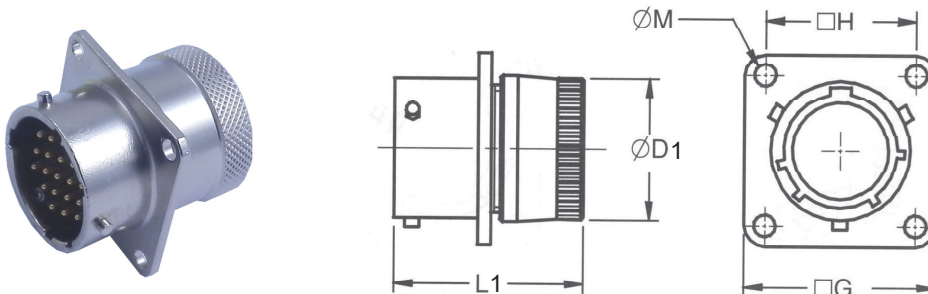
* : Includes wire sealing grommet



Description : Front Panel Receptacle, with short general duty cable clamp and bushing.
Wire sealing grommet available.

Front Panel Receptacle with individual wires sealing grommet

CKP00E14-19PT50



Description : Front Panel Receptacle, individual wires sealing grommet, no cable clamp.

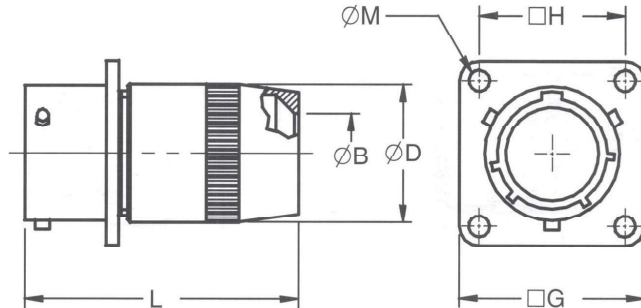
Technical Data

Shell Size	E ±0,2	N Thread	B ±0,25	H ±0,1	M ±0,12	G ±0,4	L Max.	D1 Max.	L1 Max.
8	19,10	6-32	3,2	15,10	3,04	20,6	48,5	14,20	32,15
10	20,70	6-32	4,8	18,25	3,04	23,8	48,5	17,40	32,15
12	23,90	6-32	7,9	20,60	3,04	26,2	48,5	20,65	32,15
14	27,00	6-32	9,5	23,00	3,04	28,6	48,5	23,60	32,15
16	28,60	6-32	12,7	24,60	3,04	31,0	52,0	26,85	32,15
18	35,00	8-32	15,9	27,00	3,04	33,3	52,0	29,85	32,15
20*	35,00	8-32	15,9	29,35	3,04	36,5	60,5	33,0	38,50
22*	39,75	8-32	19,0	31,75	3,04	39,7	60,5	36,30	38,50
24*	42,10	8-32	20,3	34,92	3,73	42,9	63,0	39,50	40,10

*consult the factory

Front Panel Receptacle with Long Backshell and Gland Seal

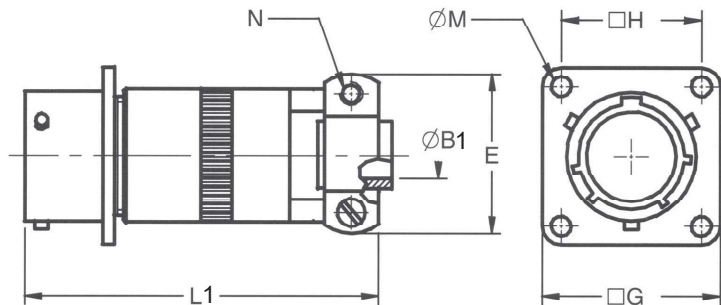
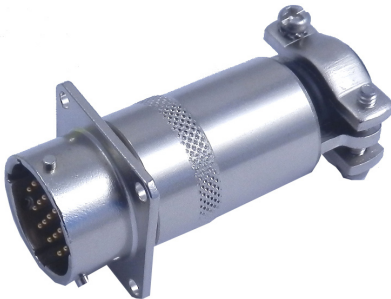
CKP00W14-19PT50



Description : Front Panel Receptacle, with long backshell and gland seal, no cable clamp.
 Suitable for round cables

Front Panel Receptacle with Long Backshell, Gland Seal and Cable Clamp

CKP00J14-19PT50



Description : Front Panel Receptacle, with long backshell, gland seal and cable clamp.
 Suitable for round cables.

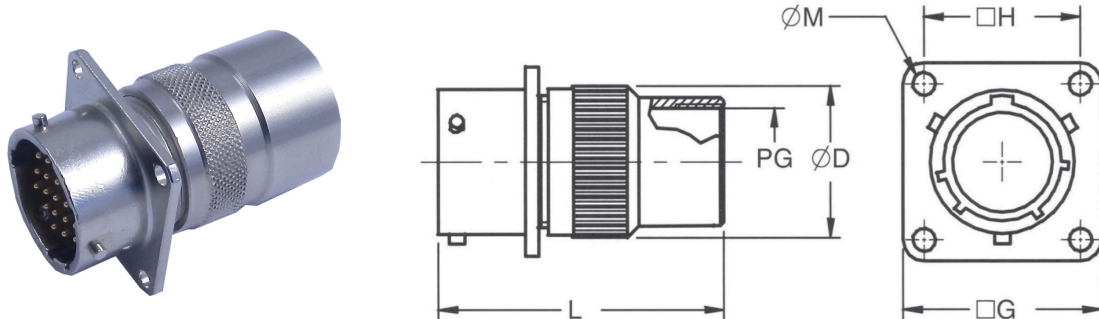
Technical Data

Shell Size	D Max.	B 1 ±0,25	B Min. - Max.	H ±0,1	M ±0,12	G ±0,4	L Max.	L1 Max.	N Thread	E ±0,2
8	13,90	3,2	4,25-6,10	15,10	3,04	20,6	47,5	56,00	6-32	19,10
10	17,15	4,8	5,20-7,90	18,25	3,04	23,8	47,5	56,00	6-32	20,70
12	20,60	7,9	8,60-11,20	20,60	3,04	26,2	47,5	59,00	6-32	23,90
14	23,90	9,5	10,55-13,70	23,00	3,04	28,6	55,5	66,00	6-32	27,00
16	27,50	12,7	14,00-15,65	24,60	3,04	31,0	61	72,00	6-32	28,60
18	30,90	15,9	15,25-17,10	27,00	3,04	33,3	68	79,00	8-32	35,00
20*	34,10	15,9	16,10-19,00	29,35	3,04	36,5	78,5	88,50	8-32	35,00
22*	37,50	19	17,00-21,50	31,75	3,04	39,7	83	95,50	8-32	39,75
24*	40,30	20,3	18,80-22,70	34,92	3,73	42,9	90	102,00	8-32	42,10

*consult the factory

Front Panel Receptacle with Internal PG Thread Backshell

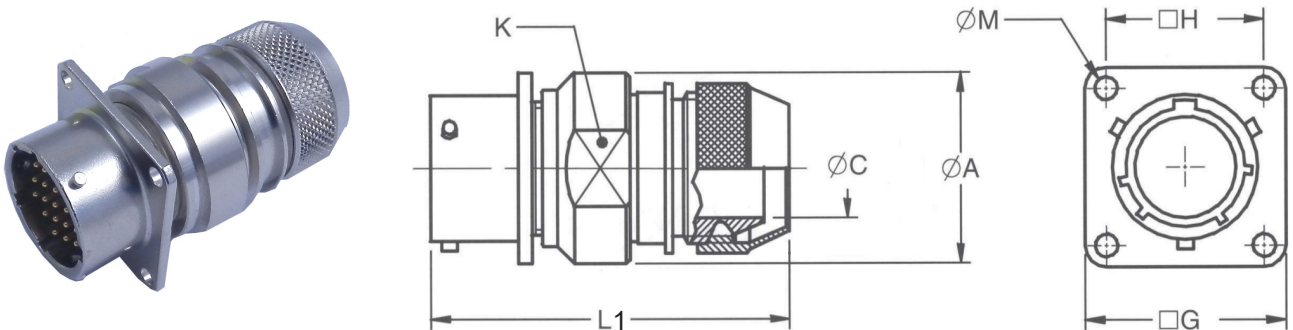
CKP00A14-19PPGXXT50



Description : Front Panel Receptacle, with PG thread backshell, suitable for commercial clamp or conduit adapter.

Front Panel Receptacle with EMI Shield and Shrink Boot Backshell

CKP00M14-19PT50



Description : Front Panel Receptacle, with EMI protection and Shrink Boot adapter. Suitable for round cables.

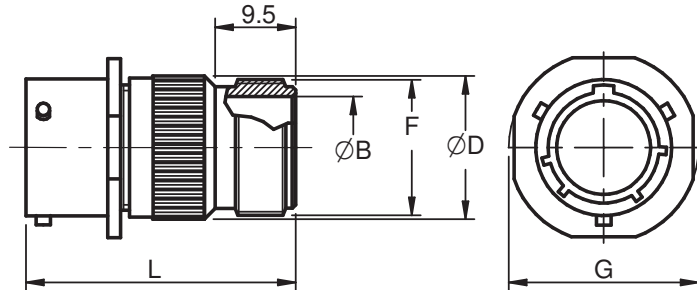
Technical Data

Shell Size	D Max.	PG XX	H ±0,1	M ±0,12	G ±0,4	L Max.	L1 Max.	A Max.	K Key	C Min.
8	18,0	PG7/PG9	15,10	3,04	20,6	41,0	52,0	14,0	18	6,6
10	18,0	PG9	18,25	3,04	23,8	41,0	52,0	16,0	21	9,2
12	23,5	PG11	20,60	3,04	26,2	45,0	52,0	20,0	24	12,2
14	24,5	PG11/PG13,5/PG16	23,00	3,04	28,6	45,0	53,0	23,0	28	15,2
16	28,0	PG13,5/PG16	24,60	3,04	31,0	45,0	53,0	26,0	31	18,3
18	30,5	PG13,5/PG16	27,00	3,04	33,3	45,0	53,0	28,5	34	20,0
20*	33,5	PG13,5/PG16	29,35	3,04	36,5	58,5	57,0	30,5	37	23,0
22*	37,0	PG13,5/PG16	31,75	3,04	39,7	63,5	57,0	34,5	41	26,0
24*	40,0	PG16/PG21	34,92	3,73	42,9	66,0	58,5	37,5	44	28,8

*consult the factory

In Line Receptacle with Backshell

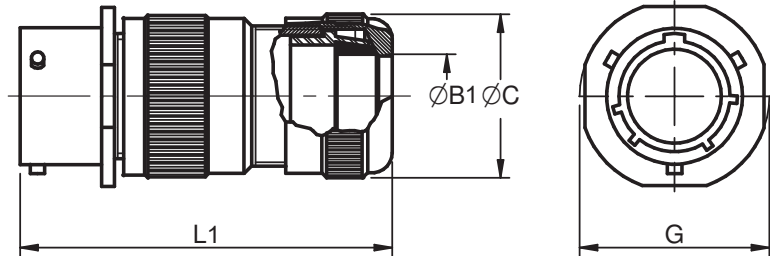
CKP01A14-19PT50



Description : In Line Receptacle, suitable for cable clamp 3057-A or 3057-C , not included.

In Line Receptacle with environmental Cable Clamp

CKP01A14-19PCGMXXT50



Description : In Line Receptacle, environmental clamp, suitable for shielded and unshielded cables.

Technical Data

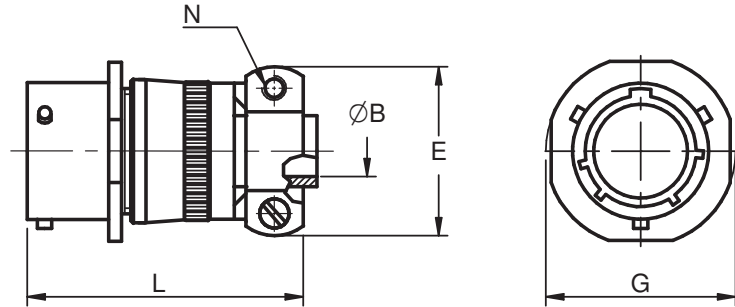
Shell Size	D Max.	F Thread	B Min.	C Max.	L1 Max.	G ±0,2	L Max.	CGM XX	B1 Min. ÷ Max.
8	15,00	0,5000-28UNEF	7,55	15,0	55,0	16,0	45,9	7	2÷7
10	18,20	0,6250-24UNEF	10,70	21,0	55,0	19,0	45,9	9	2÷9
12	21,20	0,7500-20UNEF	13,85	24,0	65,0	23,0	45,9	11	4÷11
14	24,60	0,8750-20UNEF	16,85	24,0	65,0	26,0	45,9	11	4÷11
16	27,60	1,0000-20UNEF	20,00	24,0	65,0	29,0	45,9	11	4÷11
18	30,90	1,1875-18UNEF	22,30	42,0	80,0	32,0	45,9	11/18	4÷11/7÷17
20*	33,80	1,1875-18UNEF	25,75	42,0	81,5	35,0	50,0	18	7÷17
22*	37,10	1,4375-18UNEF	28,80	42,0	81,5	36,5	50,0	18	7÷17
24*	40,25	1,4375-18UNEF	32,00	45,0	85	42,5	50,0	18/21	7÷17/12÷21

*consult the factory

In Line Receptacle with General Duty Cable Clamp

CKP01A14-19PSRT50
CKP01E14-19PSRT50*

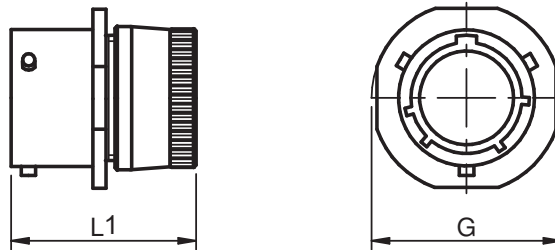
* : Includes wire sealing grommet



Description : In Line Receptacle with short general duty cable clamp and bushing.
 Wire sealing grommet available.

In Line Receptacle with individual wires sealing grommet

CKP01E14-19PT50



Description : In Line Receptacle, individual wires sealing grommet, no cable clamp.

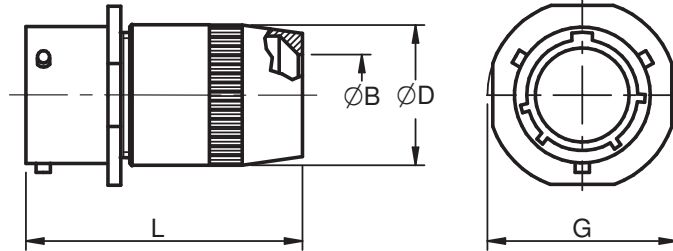
Technical Data

Shell Size	E ±0,2	N Thread	B ±0,25	G ±0,2	L1 Max.	L Max.
8	19,10	6-32	3,2	16,0	32,15	48,5
10	20,70	6-32	4,8	19,0	32,15	48,5
12	23,90	6-32	7,9	23,0	32,15	48,5
14	27,00	6-32	9,5	26,0	32,15	48,5
16	28,60	6-32	12,7	29,0	32,15	52,0
18	35,00	8-32	15,9	32,0	32,15	52,0
20*	35,00	8-32	15,9	35,0	38,50	59,0
22*	39,75	8-32	19,0	36,5	38,50	59,0
24*	42,10	8-32	20,3	42,5	40,10	61,0

*consult the factory

In Line Receptacle with Long Backshell and Gland Seal

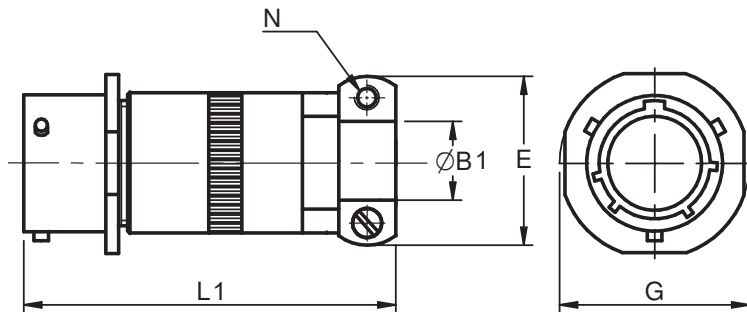
CKP01W14-19PT50



Description : In Line Receptacle, with long backshell and gland seal, no cable clamp.
 Suitable for round cables.

In Line Receptacle with Long Backshell, Gland Seal and Cable Clamp

CKP01J14-19PT50



Description : Front Panel Receptacle, with long backshell, gland seal and cable clamp.
 Suitable for round cables.

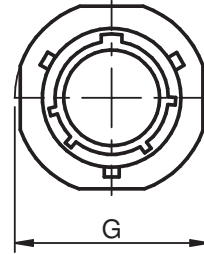
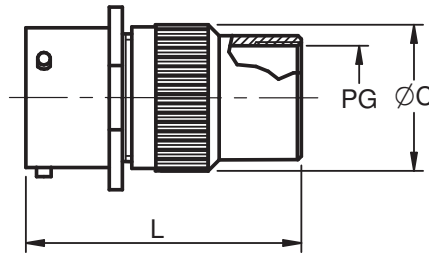
Technical Data

Shell Size	D Max.	B1 ±0,25	B Min. - Max.	N Thread	E ±0,2	G ±0,2	L Max.	L1 Max.
8	13,9	3,2	4,25-6,10	6-32	19,1	16,0	47,5	56
10	17,15	4,8	5,20-7,90	6-32	20,7	19,0	47,5	56
12	20,6	7,9	8,60-11,20	6-32	23,9	23,0	47,5	59
14	23,9	9,5	10,55-13,70	6-32	27	26,0	55,5	66
16	27,5	12,7	14,00-15,65	6-32	28,6	29,0	61	72
18	30,9	15,9	15,25-17,10	8-32	35	32,0	68	79
20*	34,1	15,9	16,10-19,00	8-32	35	35,0	78,5	88,5
22*	37,5	19	17,00-21,50	8-32	39,75	36,5	83	95,5
24*	40,3	20,3	18,80-22,70	8-32	42,1	42,5	90	100

*consult the factory

In Line Receptacle with Internal PG Thread Backshell

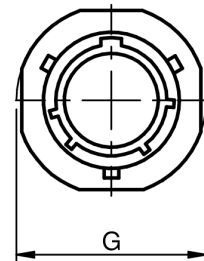
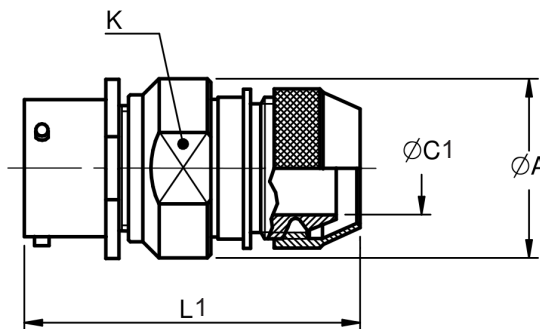
CKP01A14-19PPGXXT50



Description : In Line Receptacle, with PG thread backshell, suitable for commercial clamp or conduit adapter.

In Line Receptacle with EMI Shield and Shrink Boot Backshell

CKP01M14-19PT50



Description : In Line Receptacle, with EMI protection and Shrink Boot adapter. Suitable for round cables.

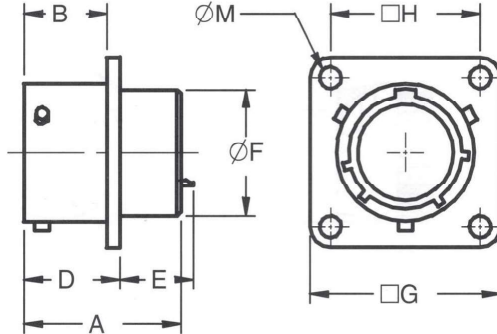
Technical Data

Shell Size	C Max.	PG XX	K Key	C1 Min.	G ±0,2	L Max.	L1 Max.	A Max.
8	18,0	PG7/PG9	18	6,6	16,0	41,0	52,0	20,0
10	18,0	PG9	21	9,2	19,0	41,0	52,0	23,0
12	23,5	PG11	24	12,2	23,0	45,0	52,0	27,0
14	24,5	PG11/PG13,5/PG16	28	15,2	26,0	45,0	53,0	30,0
16	28,0	PG13,5/PG16	31	18,3	29,0	45,0	53,0	33,0
18	30,5	PG13,5/PG16	34	20,0	32,0	45,0	53,0	36,0
20*	33,5	PG13,5/PG16	37	23,0	35,0	58,5	57,0	40,0
22*	37,0	PG13,5/PG16	41	26,0	36,5	63,5	57,0	43,0
24*	40,0	PG16/PG21	44	28,8	42,5	66,0	58,5	46,0

*consult the factory

Front Panel Receptacle

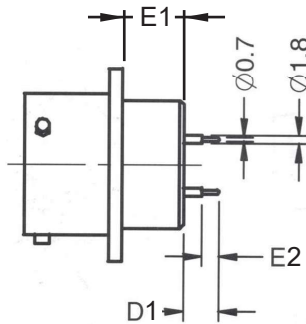
CKP02A14-19PT50



Description : Front Panel Receptacle, no rear accessory thread.

Front Panel Receptacle with Printed Circuit Contacts

CKP02Y14-19PT50



Shell Size	Y		YS		YM	
	D1	E 2	D1	E2	D1	E2
8	8,0	3,6	5,8	3,2	12,4	7,2
10	8,0	3,6	5,8	3,2	12,4	7,2
12	8,0	3,6	5,8	3,2	12,4	7,2
14	8,0	3,6	5,8	3,2	12,4	7,2
16	8,0	3,6	5,8	3,2	12,4	7,2
18	8,0	3,6	5,8	3,2	12,4	7,2
20*	7,8	3,6	7,5	3,2	-	-
22*	7,8	3,6	7,5	3,2	-	-
24*	6,7	3,6	6,4	3,2	-	-

Description : Front Panel Receptacle with Printed Circuit Contacts, no rear accessory thread.
Consult the factory for Non-available contacts.

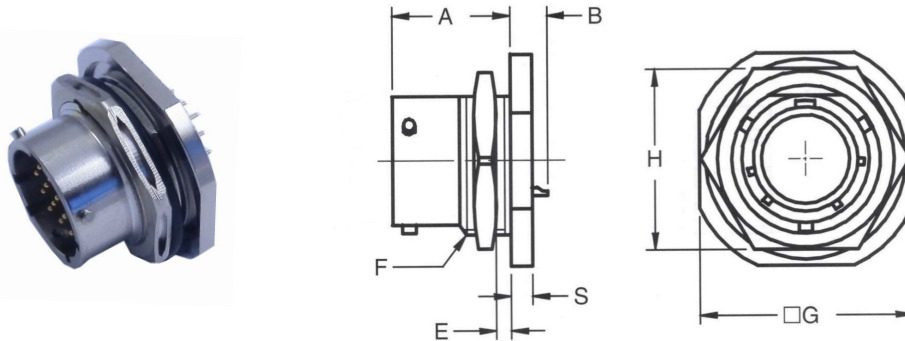
Technical Data

Shell Size	B +0,25 / -0	F Max.	E Max.	H ±0,1	M ±0,12	G ±0,4	A Max.	E1 +0 / -0,2	D +0,6 / -0,25	D1	E2
8	10,95	11,40	11,8	15,10	3,04	20,6	21,8	6,2	12,5	see table	see table
10	10,95	14,55	11,8	18,25	3,04	23,8	21,8	6,2	12,5		
12	10,95	17,75	11,8	20,60	3,04	26,2	21,8	6,2	12,5		
14	10,95	20,90	11,8	23,00	3,04	28,6	21,8	6,2	12,5		
16	10,95	24,10	11,8	24,60	3,04	31,0	21,8	6,2	12,5		
18	10,95	27,25	11,8	27,00	3,04	33,3	21,8	6,2	12,5		
20*	14,10	30,45	13,4	29,35	3,04	36,5	27,4	7,5	16,5		
22*	14,10	33,60	13,4	31,75	3,04	39,7	27,4	7,5	16,5		
24*	15,00	36,80	14,5	34,92	3,73	42,9	28,2	7,5	17,3		

*consult the factory

Rear Panel Jam Nut Receptacle

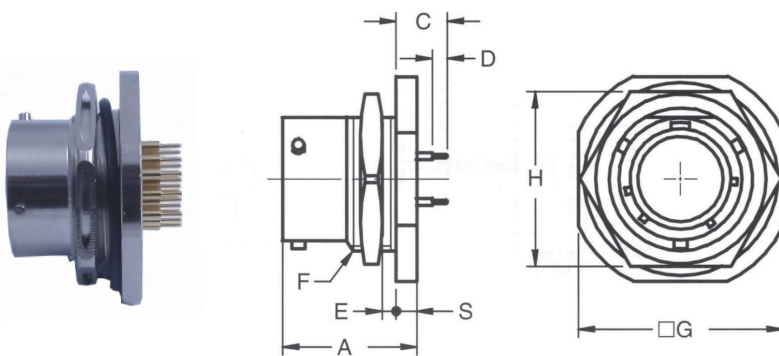
CKP07A14-19PT50



Description : Rear Panel Jam Nut Receptacle, no rear accessory thread.

Rear Panel Jam Nut Receptacle with Printed Circuit Contacts

CKP07Y14-19PT50



Shell Size	Y		YS		YM	
	C	D	C	D	C	D
8	9,4	3,6	7,8	3,2	14,0	7,2
10	9,4	3,6	7,8	3,2	14,0	7,2
12	9,4	3,6	7,8	3,2	14,0	7,2
14	9,4	3,6	7,8	3,2	14,0	7,2
16	9,4	3,6	7,8	3,2	14,0	7,2
18	9,4	3,6	7,8	3,2	14,0	7,2
20*	9,6	3,6	9,3	3,2	14,65	7,2
22*	9,6	3,6	9,3	3,2	14,65	7,2
24*	8,8	3,6	8,5	3,2	14,3	7,2

Description : Front Panel Receptacle with Printed Circuit Contacts, no rear accessory thread.
 Consult the factory for Non-available contacts.

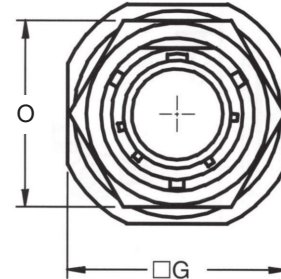
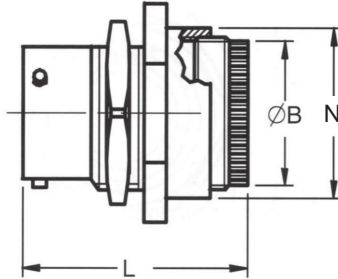
Technical Data

Shell Size	E		F Thread	B ±0,1	S ±0,4	A ±0,4	G ±0,4	H ±0,4	C	D
	Min.	Max.								
8	1,6	3,2	0,5625-24UNEF	4,8	3,2	17,70	23,8	19,0	see table	see table
10	1,6	3,2	0,6875-24UNEF	4,8	3,2	17,70	27,0	22,0		
12	1,6	3,2	0,8750-20UNEF	4,8	3,2	17,70	31,7	27,0		
14	1,6	3,2	1,0000-20UNEF	4,8	3,2	17,70	34,9	30,0		
16	1,6	3,2	1,1250-18UNEF	4,8	3,2	17,70	38,1	33,0		
18	1,6	3,2	1,2500-18UNEF	4,8	3,2	17,70	41,3	36,0		
20*	1,6	6,3	1,3750-18UNEF	5,6	4,0	22,45	46,0	40,0		
22*	1,6	6,3	1,5000-18UNEF	5,6	4,0	22,45	49,2	43,0		
24*	1,6	6,3	1,6250-18UNEF	5,6	4,0	23,30	52,4	46,0		

*consult the factory

Rear Panel Jam Nut

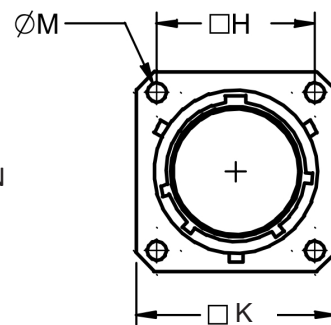
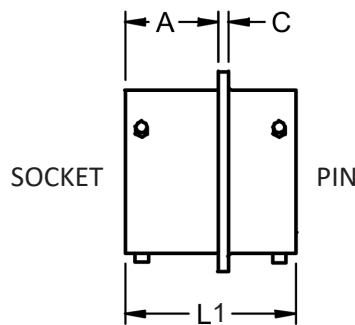
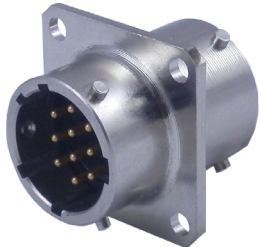
CKP07E14-19PT50



Description : Rear Panel Jam Nut Receptacle with wire sealing grommet.

Through Bulkhead Receptacle

CKP02PP14-19PST50



Description : Through Bulkhead Receptacle with male-female contacts.

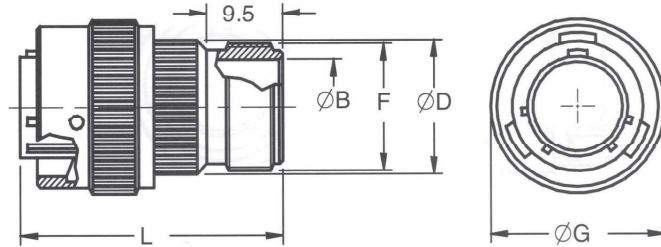
Technical Data

Shell Size	A +0,2 / 0	B 0 / -0,25	C +0,2	G +0,4	H +0,1	L max.	L1 +0,2 / 0	M +0,1 / 0	N min.	O +0,4	K +0,4
8	14,5	13,5	1,6	23,8	15,1	39,3	26,5	3,04	19	19	20,6
10	14,5	16,5	1,6	27	18,25	39,3	26,5	3,04	22,2	22	23,8
12	14,5	19,5	1,6	31,7	20,6	39,3	26,5	3,04	25,5	27	26,2
14	14,5	22,5	1,6	34,9	23	39,3	26,5	3,04	28,5	30	28,6
16	14,5	25,5	1,6	38,1	24,6	39,3	26,5	3,04	31,7	33	31
18	14,5	29	1,6	41,3	27	39,3	26,5	3,04	34,9	36	33,3
20*	17,8	31,8	2,5	46,0	29,4	43,4	33,5	3,04	38,8	40	36,5
22*	17,8	35	2,5	49,2	31,75	43,4	33,5	3,04	42,0	43	39,7
24*	17,8	38	2,5	52,4	34,92	43,4	33,5	3,73	45,2	46	42,8

*consult the factory

Straight Plug with Backshell

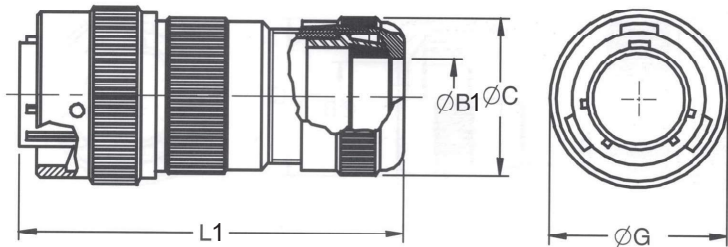
CKP06A14-19PT50



Description : Straight Plug, suitable for cable clamp 3057-A or 3057-C , not included.

Straight Plug with environmental Cable Clamp

CKP06A14-19PCGMXXT50



Description : Straight Plug, environmental clamp, suitable for shielded and unshielded cables.

Technical Data

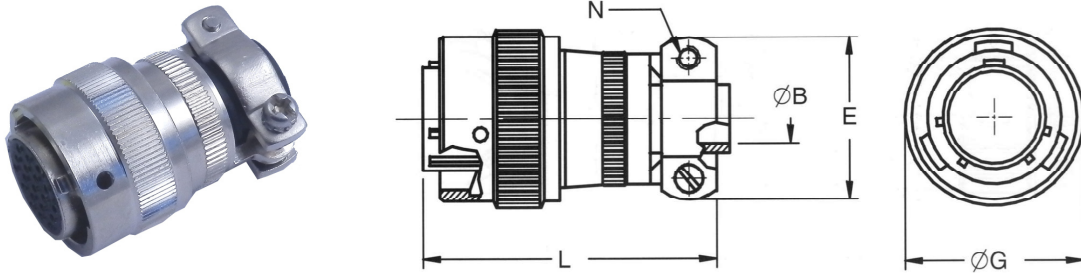
Shell Size	D Max.	F Thread	B Min.	C Max.	L1 Max.	G ±0,2	L Max.	CGM XX	B 1 Min. ÷ Max.
8	15,00	0,5000-28UNEF	6,6	15,0	55,0	18,10	45,9	7	2÷7
10	18,20	0,6250-24UNEF	9,2	21,0	55,0	21,05	45,9	9	2÷9
12	21,20	0,7500-20UNEF	12,2	24,0	65,0	25,15	45,9	11	4÷11
14	24,60	0,8750-20UNEF	15,2	24,0	65,0	28,40	45,9	11	4÷11
16	27,60	1,0000-20UNEF	18,3	24,0	65,0	31,60	45,9	11	4÷11
18	30,90	1,1875-18UNEF	20,0	42,0	80,0	35,00	45,9	11/18	4÷11/7÷17
20*	33,80	1,1875-18UNEF	23,0	42,0	81,5	37,70	50,0	18	7÷17
22*	37,10	1,4375-18UNEF	26,0	42,0	81,5	40,20	50,0	18	7÷17
24*	40,25	1,4375-18UNEF	28,8	45,0	85	44,0	50,0	18/21	7÷17/12÷21

*consult the factory

Straight Plug with General Duty Cable Clamp

CKP06A14-19PSRT50
CKP06E14-19PSRT50*

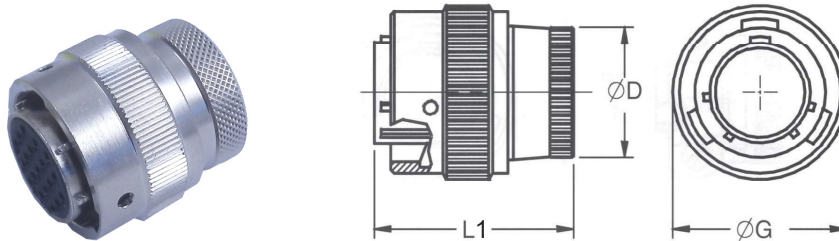
* : Includes wire sealing grommet



Description : Straight Plug, with short general duty cable clamp and bushing.
 Wire sealing grommet available.

Straight Plug with individual wires sealing grommet

CKP06E14-19PT50



Description : Straight Plug, individual wires sealing grommet, no cable clamp.

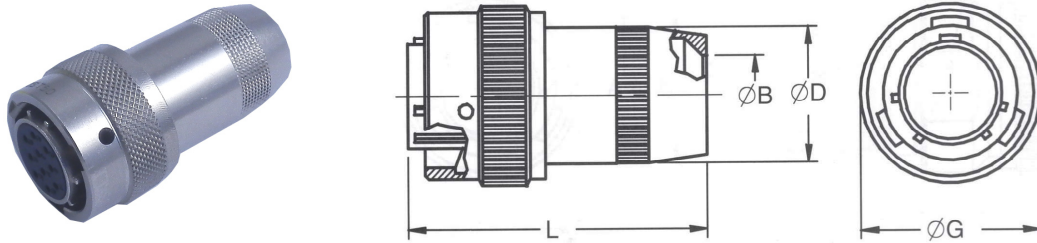
Technical Data

Shell Size	E ±0,2	N Thread	B ±0,2	G ±0,4	D Max.	L1 Max.	L Max.
8	20,60	6-32	3,2	18,10	14,20	32,15	48,5
10	22,20	6-32	4,8	21,05	17,40	32,15	48,5
12	25,40	6-32	7,9	25,15	20,65	32,15	48,5
14	28,60	6-32	9,5	28,40	23,60	32,15	48,5
16	30,20	6-32	12,7	31,60	26,85	32,15	52,0
18	36,50	8-32	15,9	35,00	29,85	32,15	52,0
20*	36,50	8-32	15,9	37,70	33,0	38,50	59,0
22*	43,65	8-32	19,0	40,20	36,30	38,50	59,0
24*	43,65	8-32	20,3	44,0	39,50	40,10	61,0

*consult the factory

Straight Plug with Long Backshell and Gland Seal

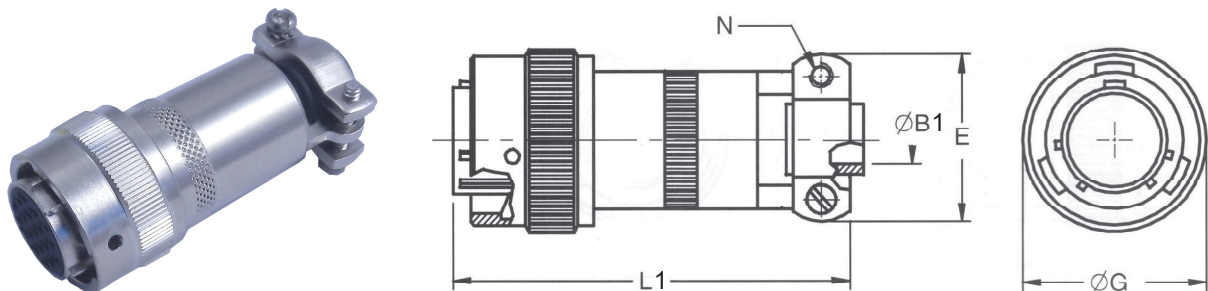
CKP06W14-19PT50



Description : Straight Plug, with long backshell and gland seal, no cable clamp.
 Suitable for round cables.

Straight Plug with Long Backshell, Gland Seal and Cable Clamp

CKP06J14-19PT50



Description : Straight Plug, with long backshell, gland seal and cable clamp.
 Suitable for round cables.

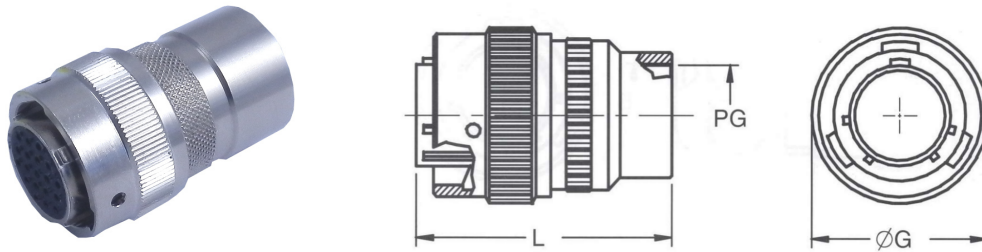
Technical Data

Shell Size	D Max.	B 1 ±0,25	B Min. - Max.	N Thread	E ±0,2	G ±0,4	L Max.	L1 Max.
8	13,90	3,2	4,25-6,10	6-32	19,10	18,10	47,5	56,00
10	17,15	4,8	5,20-7,90	6-32	20,70	21,05	47,5	56,00
12	20,60	7,9	8,60-11,20	6-32	23,90	25,15	47,5	59,00
14	23,90	9,5	10,55-13,70	6-32	27,00	28,40	55,5	66,00
16	27,50	12,7	14,00-15,65	6-32	28,60	31,60	61	72,00
18	30,90	15,9	15,25-17,10	8-32	35,00	35,00	68	79,00
20*	34,10	15,9	16,10-19,00	8-32	35,00	37,70	78,5	88,50
22*	37,50	19	17,00-21,50	8-32	39,75	40,20	83	95,50
24*	40,30	20,3	18,80-22,70	8-32	42,10	44,0	90	100,00

*consult the factory

Straight Plug with Internal PG Thread Backshell

CKP06A14-19PPGXXT50

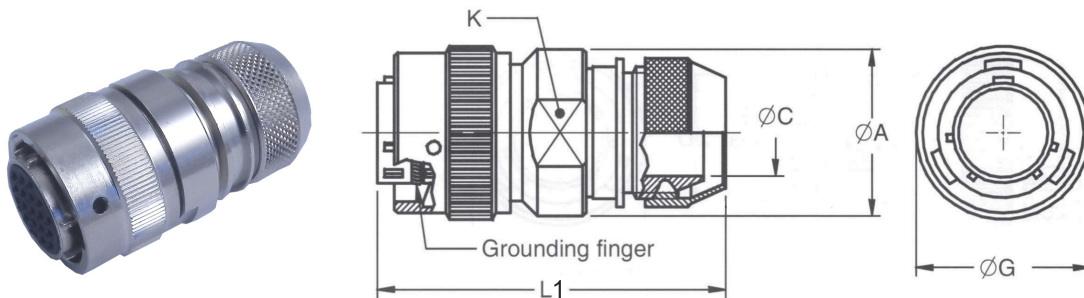


Description : Straight Plug, with PG thread backshell, suitable for commercial clamp or conduit adapter.

Straight Plug with EMI Shield and Shrink Boot Backshell

CKP06M14-19PT50

CKPG06M14-19PT50



Description : Straight Plug, with EMI protection and Shrink Boot adapter. Suitable for round cables. CKPG ground finger version.

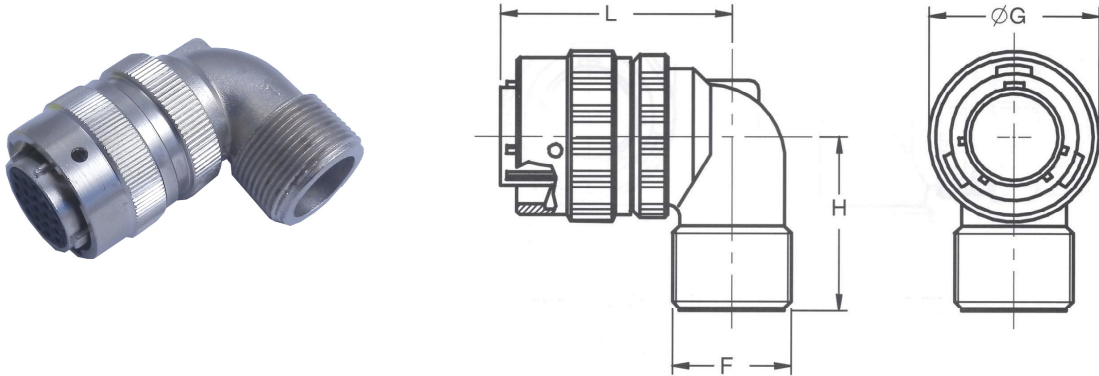
Technical Data

Shell Size	K Key	PG XX	C Min.	G ±0,4	L Max.	L1 Max.	A Max.
8	18	PG7/PG9	6,6	18,10	41,0	55,0	20,0
10	21	PG9	9,2	21,05	41,0	55,0	23,0
12	24	PG11	12,2	25,15	45,0	55,0	27,0
14	28	PG11/PG13,5/PG16	15,2	28,40	45,0	56,0	30,0
16	31	PG13,5/PG16	18,3	31,60	45,0	56,0	33,0
18	34	PG13,5/PG16	20,0	35,00	45,0	56,0	36,0
20*	37	PG13,5/PG16	23,0	37,70	58,5	60,0	40,0
22*	41	PG13,5/PG16	26,0	40,20	63,5	60,0	43,0
24*	44	PG16/PG21	28,8	44,0	66,0	63,0	46,0

*consult the factory

90° Plug with Backshell

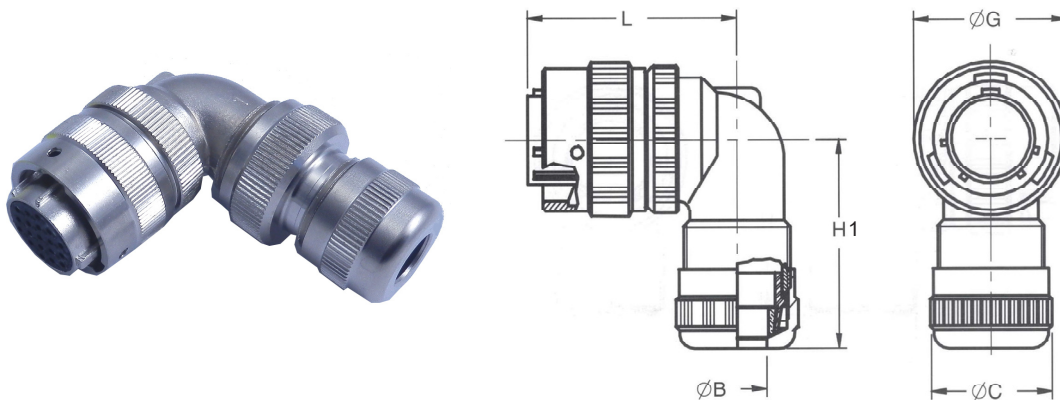
CKP08A14-19PT50



Description : 90° Plug, suitable for cable clamp 3057-A or 3057-C , not included.

90° Plug with environmental Cable Clamp

CKP08A14-19PCGMXXT50



Description : 90° Plug, environmental clamp, suitable for shielded and unshielded cables.

Technical Data

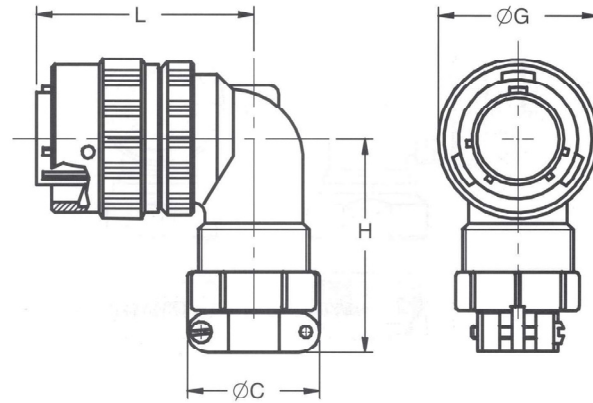
Shell Size	F Thread	C Max.	H Max.	H1 Max.	G ±0,2	L Max.	CGM XX	B Min.÷ Max.
8	0,5000-28UNEF	15,2	20,0	38,0	19,05	36,0	7	2÷7
10	0,6250-24UNEF	21,5	26,0	45,0	21,80	36,0	9	2÷9
12	0,7500-20UNEF	23,5	27,5	43,5	26,20	38,0	11	4÷11
14	0,8750-20UNEF	23,5	28,0	44,5	29,40	41,5	11	4÷11
16	1,0000-20UNEF	23,5	31,0	49,0	32,55	43,0	11	4÷11
18	1,1875-18UNEF	42	33,0	54,0	35,35	48,0	11/18	4÷11/7÷17
20*	1,1875-18UNEF	42	33,0	54,0	38,90	52,0	18	7÷17
22*	1,4375-18UNEF	42	38,0	60,0	42,10	56,0	18	7÷17
24*	1,4375-18UNEF	48	39,0	61,0	45,0	57,0	18/21	7÷17/12÷21

*consult the factory

90° Plug with General Duty Cable Clamp

CKP08A14-19PSRT50
CKP08E14-19PSRT50*

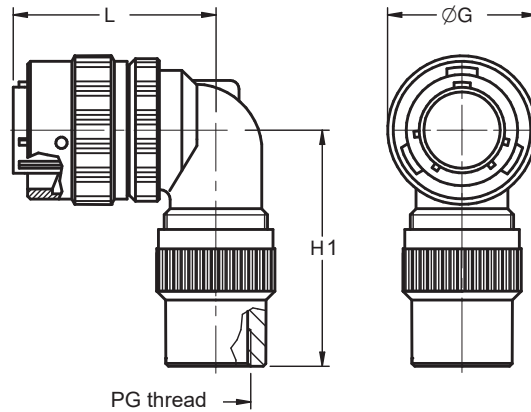
* : Includes wire sealing grommet



Description : 90° Plug, with general duty cable clamp. Wire sealing grommet available.

90° Plug with Internal PG Thread Backshell

CKP08A14-19PPGXXT50



Description : 90° Plug, with PG thread backshell, suitable for commercial clamp or conduit adapter.

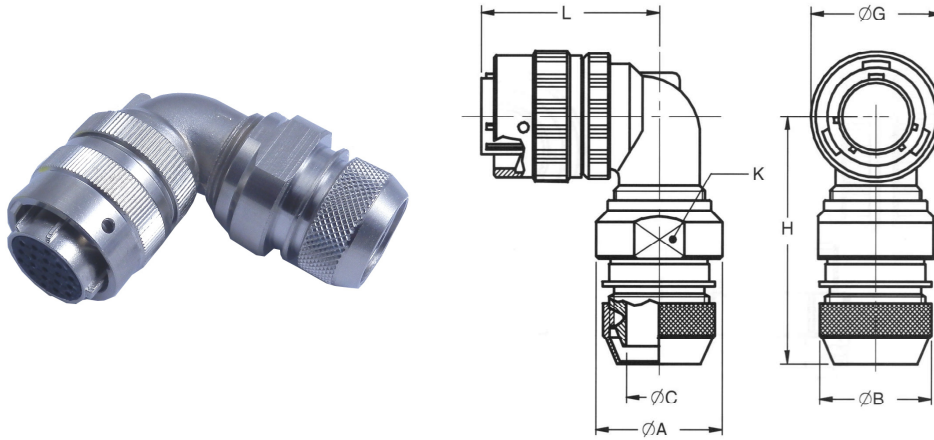
Technical Data

Shell Size	PG XX	C Max.	H Max.	H1 Max.	G ±0,2	L Max.
8	PG7/PG9	21,2	31,5	40	19,05	36,0
10	PG9	25,5	37,5	40	21,80	36,0
12	PG11	27,5	40,0	40	26,20	38,0
14	PG11/PG13,5/PG16	28,5	43,0	54	29,40	41,5
16	PG13,5/PG16	33,0	46,0	54	32,55	43,0
18	PG13,5/PG16	35,5	48,0	54	35,35	48,0
20*	PG13,5/PG16	35,5	48,0	65	38,90	52,0
22*	PG13,5/PG16	44,0	53,5	65	42,10	56,0
24*	PG16/PG21	44,0	53,5	65	45,0	57,0

*consult the factory

90° Plug with EMI Shield and Shrink Boot Backshell

CKP08M14-19PT50
CKPG08M14-19PT50



Description : 90° Plug, with EMI protection and Shrink Boot adapter. Suitable for round cables.
 CKPG ground finger version.

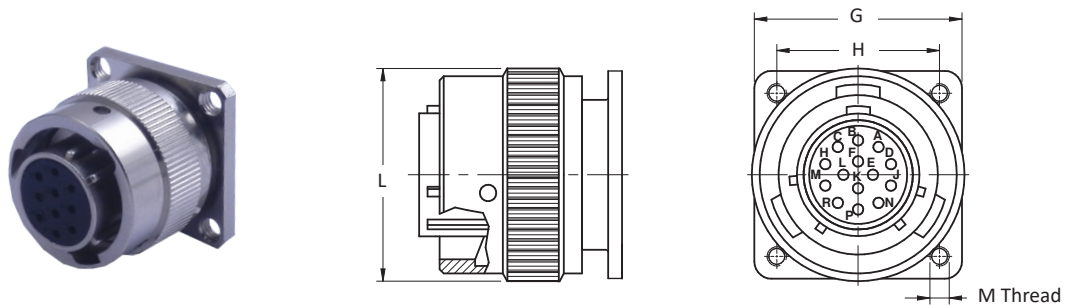
Technical Data

Shell Size	A Max.	K Key	C Min.	G ±0,4	L Max.	H Max.	B Max.
8	19,80	18	6,80	18,10	36,0	55,0	16,3
10	22,50	21	9,30	21,05	36,0	60,0	18,4
12	26,90	24	12,25	25,15	38,0	63,0	22,4
14	29,90	28	15,40	28,40	41,5	65,0	25,4
16	32,85	31	18,50	31,60	43,0	67,0	28,4
18	35,80	34	20,20	35,00	48,0	69,0	32,4
20*	39,60	37	23,30	37,70	52,0	71,0	34,4
22*	42,90	41	26,00	40,20	56,0	73,0	38,4
24*	45,90	44	29,00	44,0	57,0	76,0	41,3

*consult the factory

Panel Plug

CKP26A14-19PT50



Description : Flange Plug Connector.

Technical Data

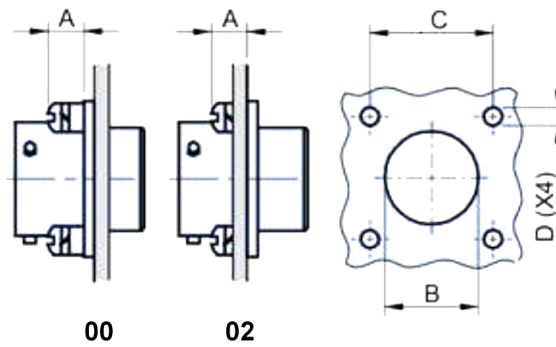
Shell Size	G ±0,4	L Max.	H ±0,1	M Thread
12	26,2	26,2	20,60	6-32UNC
16	31,0	24,5	24,60	6-32UNC
18	33,3	35,0	27,00	6-32UNC
20*	36,5	28,5	29,40	6-32UNC
22*	39,7	28,5	31,75	6-32UNC
24*	42,8	32,0	34,92	6-32UNC

*consult the factory

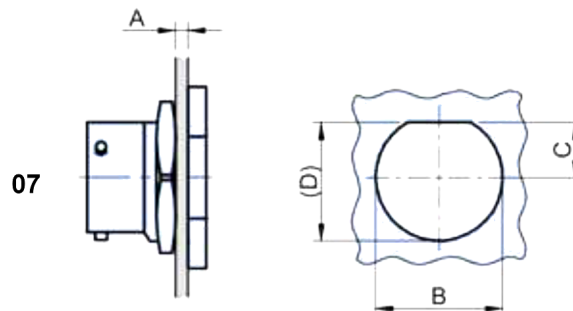
PANEL REQUIREMENT

Flange Plug Connector

Panel thickness and panel cutout for type 00, 02 connectors				
Shell Size	A Max.	B +0,02 / -0	C ±0,1	D ±0,12
8	2.2	15.1	15.10	3.04
10	2.2	18.3	18.25	3.04
12	2.2	20.6	20.60	3.04
14	2.2	23.0	23.00	3.04
16	2.2	24.6	24.60	3.04
18	2.2	27.0	27.00	3.04
20	5.4	29.4	29.35	3.04
22	5.4	31.8	31.75	3.04
24	5.4	34.9	34.90	3.73



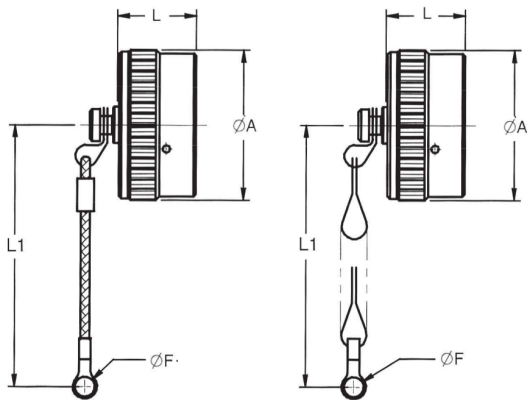
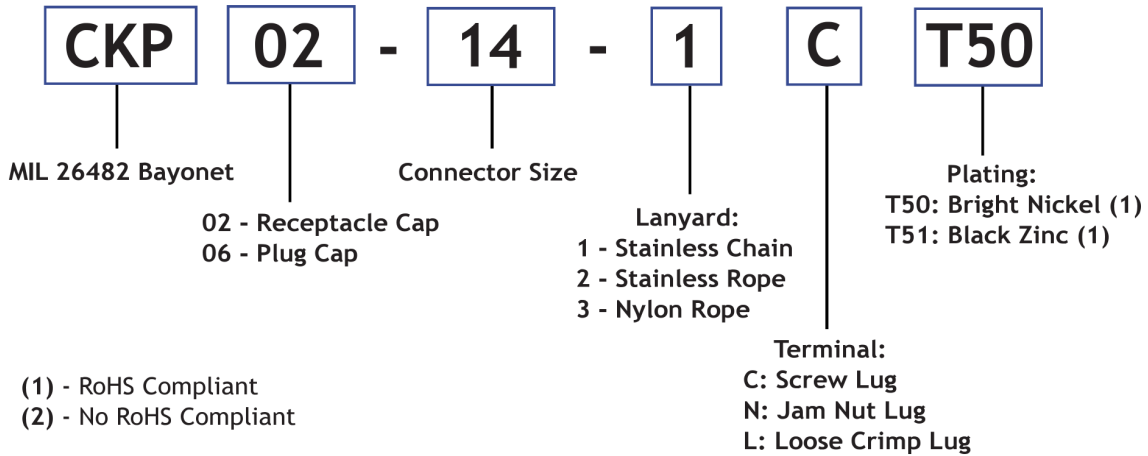
Panel thickness and panel cutout for type 07 connectors				
Shell Size	A Min. + Max.	B +0,25 / -0	C +0 / -0,25	D
8	1.6 - 3.2	14.5	6.55	13.8
10	1.6 - 3.2	17.7	8.15	17.0
12	1.6 - 3.2	22.5	9.85	21.1
14	1.6 - 3.2	25.6	11.50	24.3
16	1.6 - 3.2	28.8	13.10	27.5
18	1.6 - 3.2	32.0	14.70	30.7
20	1.6 - 6.3	35.2	16.30	33.9
22	1.6 - 6.3	38.3	17.95	37.1
24	1.6 - 6.3	41.5	19.25	40.0



ACCESSORIES

Metal Protection Caps

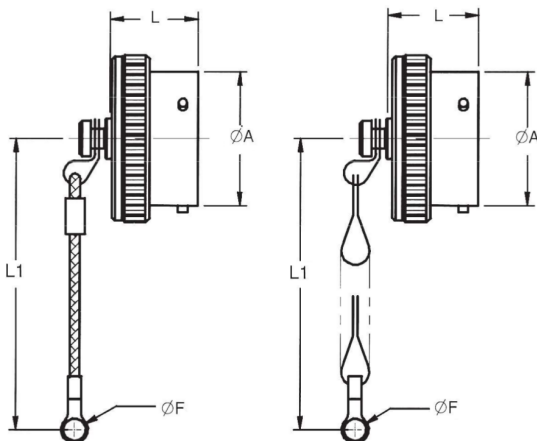
HOW TO ORDER



Receptacle Cap

Connector Size	ØA Max.	F +0.2 -0	L +0.5 -0	L1 min.
8	17.95	4.3	14.50	76.2
10	20.70	4.3	14.50	76.2
12	25.40	4.3	14.50	88.9
14	28.65	4.3	14.50	88.9
16	31.90	4.3	14.50	88.9
18	34.70	4.3	14.50	88.9
20	38.00	4.3	14.50	101.6
22	41.25	4.3	14.50	101.6
24	44.40	4.3	15.55	101.6

For Additional Information or Different Requests, Please Contact the Factory



Plug Cap

Connector Size	ØA +0.02 -0.12	F +0.2 -0	L +0.6 -0.4	L1 min.
8	12.01	4.3	13.5	76.2
10	14.98	4.3	13.5	76.2
12	19.05	4.3	13.5	88.9
14	22.22	4.3	13.5	88.9
16	25.40	4.3	13.5	88.9
18	28.57	4.3	13.5	88.9
20	31.75	4.3	15.1	101.6
22	34.92	4.3	15.1	101.6
24	38.10	4.3	15.9	101.6

For Additional Information or Different Requests, Please Contact the Factory

ACCESSORIES

General Duty Cable Clamp

CK 3057 - 8 A T50

Cable Clamp

Size

General Duty

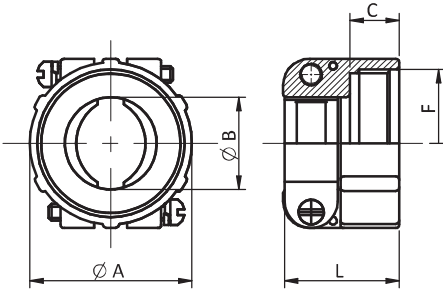
Plating:
T50: Bright Nickel (*)
T51: Black Zinc (*)



(*) - RoHS Compliant

Technical Data

Part Number	Shell Size	Sleeve to use	A	B	C	F Thread	L
CK 3057-3A	8	3420-3	18	6,8	10,2	0,5000-28UNEF	20,6
CK 3057-4A	10	3420-4	25	8,2	10,2	0,6250-24UNEF	21,0
CK 3057-6A	12	3420-6	27	11,2	10,2	0,7500-20UNEF	22,2
CK 3057-8A	14	3420-8	28	14,2	10,2	0,8750-20UNEF	24,0
CK 3057-10A	16	3420-10	33	16,0	10,2	1,0000-20UNEF	28,5
CK 3057-12A	18	3420-12	35	19,0	10,2	1,1875-18UNEF	24,0
CK 3057-12A	20	3420-12	35	19,0	10,2	1,1875-18UNEF	-
CK 3057-16A	22	3420-16	43	23,8	10,5	1,4375-18UNEF	-
CK 3057-16A	24	3420-16	43	23,8	10,5	1,4375-18UNEF	-



Water Tight Cable Clamp

CK 3057 - 8 C T50

Cable Clamp

Size

Environmental

Plating:
T50: Bright Nickel (*)
T51: Black Zinc (*)

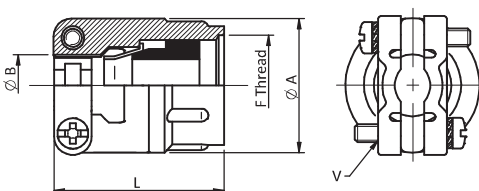


(*) - RoHS Compliant

Technical Data

Part Number	Shell Size	Sleeve to use	A	B	C	F Thread	L	V Thread
CK 3057-3C	8	3420-3A	18	6,8	10,2	0,5000-28UNEF	33,2	6-32
CK 3057-4C	10	3420-4A	25	8,2	10,2	0,6250-24UNEF	32,3	6-32
CK 3057-6C	12	3420-4A/6A	27	11,2	10,2	0,7500-20UNEF	32,3	6-32
CK 3057-8C	14	3420-6A/8A	28	14,2	10,2	0,8750-20UNEF	32,3	6-32
CK 3057-10C	16	3420-6A/10A	33	16,0	10,2	1,0000-20UNEF	35,3	6-32
CK 3057-12C	18	3420-8A/12A	35	19,0	10,2	1,1875-18UNEF	35,7	8-32
CK 3057-12C	20	3420-8A/12A	35	19,0	10,2	1,1875-18UNEF	35,7	8-32
CK 3057-16C	22	3420-8A/12A/16A	43	23,8	10,5	1,4375-18UNEF	38,5	8-32
CK 3057-16C	24	3420-8A/12A/16A	43	23,8	10,5	1,4375-18UNEF	38,5	8-32

For Additional Information or Different Requests, Please Contact the Factory



ACCESSORIES

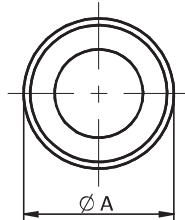
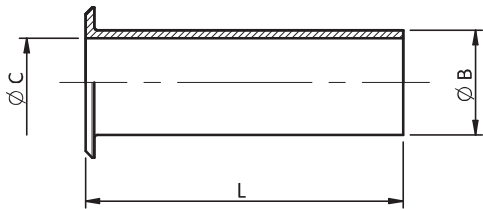
Neoprene Sleeves for CK3057-XXA Clamp

CK3420 - 8

Neoprene Sleeves for Cable Clamp

Size

Omit for 3057-XXA Clamp



Technical Data

Part Number	A	B	C	L
CK 3420-3	9,5	5,33	3,30	73,0
CK 3420-4	12,8	7,67	5,58	69,8
CK 3420-6	15,7	10,84	7,92	66,8
CK 3420-8	18,8	14,02	11,09	63,5
CK 3420-10	22,0	15,62	14,27	60,3
CK 3420-12	27,0	18,79	15,87	57,1
CK 3420-16	33,3	23,54	19,05	53,9

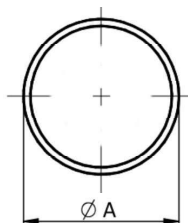
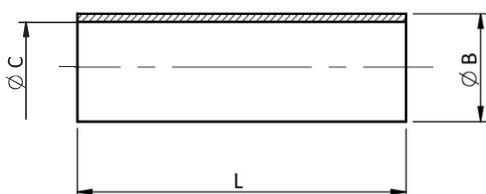
Neoprene Sleeves for CK3057-XXC Clamp

CK3420 - 8 A

Neoprene Sleeves for Cable Clamp

Size

For 3057-XXC Clamp

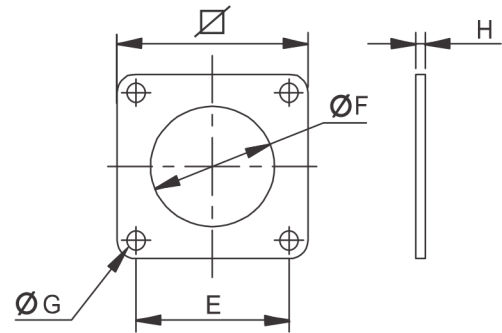
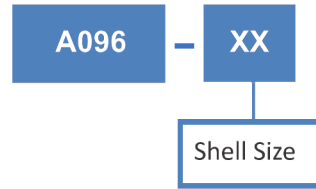


Technical Data

Part Number	A	B	L
CK 3420-3A	5,30	2,90	50,5
CK 3420-4A	7,63	5,56	50,5
CK 3420-6A	10,50	7,93	50,5
CK 3420-8A	13,50	11,10	50,5
CK 3420-10A	15,70	11,10	50,5
CK 3420-12A	18,50	13,74	50,9
CK 3420-16A	23,60	19,00	50,9

Flange Mounting Gasket

A096-XX



All dimensions in mm

Shell Size	ØD	E	Ø F +1 / 0	Ø G	H Max.
8	20.62	15.08	12.7	3.30	1.06
10	23.82	18.26	15.9	3.30	1.06
12	26.18	20.65	19.0	3.30	1.06
14	28.57	23.01	22.2	3.30	1.06
16	30.96	24.61	25.4	3.30	1.06
18	33.32	27.00	28.6	3.30	1.06
20	36.52	29.36	31.7	3.30	1.06
22	39.70	31.75	34.9	3.30	1.06
24	42.87	34.92	38.1	3.96	1.06

Protective Plastic Caps

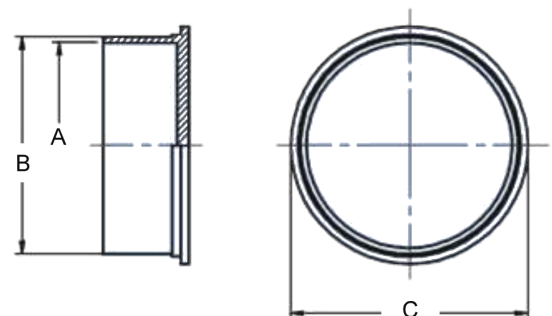
TABLE I: RECEPTACLE CAP DIMENSIONS

Part Number	Shell size	A ±0.25	B ±0.25	C ±0.78
CK90376- 8R	Receptacle 8	12.19	13.71	18.79
CK90376-10R	Receptacle 10	15.36	16.89	21.33
CK90376-14Y	Receptacle 12	18.28	19.68	24.63
CK90376-16Y	Receptacle 14	21.59	22.98	28.57
CK90376-18Y	Receptacle 16	24.71	26.28	30.98
CK90376-20Y	Receptacle 18	27.76	29.33	33.78
CK90376-22Y *	Receptacle 20	31.26	33.04	37.21
CK90376-24Y *	Receptacle 22	34.03	35.81	40.38
CK90376-24R *	Receptacle 24	37.16	38.93	43.18



TABLE II: PLUG CAP DIMENSIONS

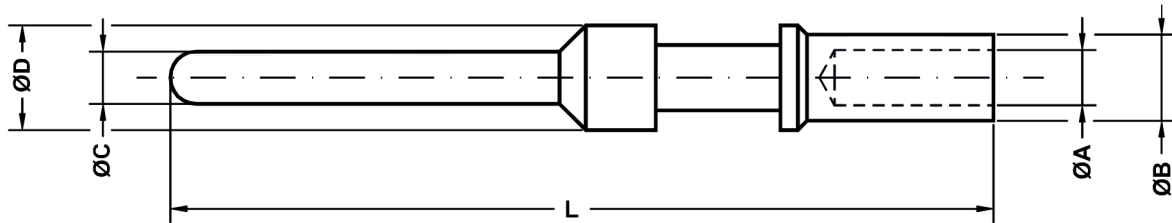
Part Number	Shell size	A ±0.25	B ±0.25	C ±0.78
CK90376- 8Y	Plug 8	10.49	12.26	17.01
CK90376- 8R	Plug 10	13.46	15.11	19.05
CK90376-12Y	Plug 12	16.63	18.16	21.84
CK90376-12R	Plug 14	19.93	21.46	26.18
CK90376-16Y	Plug 16	22.68	24.46	28.57
CK90376-16R	Plug 18	26.11	27.63	31.75
CK90376-18R *	Plug 20	29.21	30.86	35.71
CK90376-20R *	Plug 22	32.25	34.03	38.10
CK90376-22R *	Plug 24	35.30	37.08	41.65



*consult the factory

CONTACTS

Male Crimp Contacts



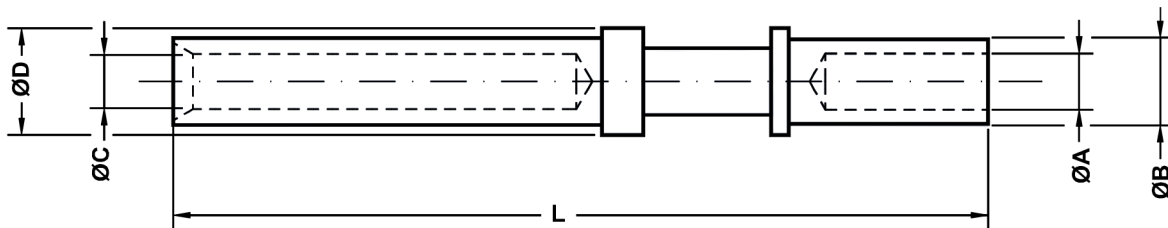
Part Number	Size	mmq	AWG	A +0,03/-0	B ±0,02	C ±0,02	D +0/-0,03	L ±0,1
A001-20SPCT03	20S	0,6	20-22	1,30	1,93	1,08	1,96	20,40
A001-20PCT03*	20	0,6	20-22	1,30	1,93	1,08	1,96	24,40
A001-16SPCT03	16S	1,2	16	1,72	2,60	1,57	3,20	22,25
A001-16PCT03*	16	1,2	16	1,72	2,6	1,57	3,20	25,80
A001-20SPC-7,5 T03**	20S	0,4	24-26	0,75	1,55	1,08	1,96	20,40

Shell Sizes 8 through 18 use the shorter contacts, designated as 16S and 20S

* Consult the factory

** On demand

Female Crimp Contacts



Part Number	Size	mmq.	AWG	A +0,03/-0	B ±0,02	C ±0,02	D +0/-0,03	L ±0,1
A001-20SSCT03	20S	0,6	20-22	1,30	1,93	1,00	2,00	20,37
A001-20SCT03*	20	0,6	20-22	1,30	1,93	1,00	2,00	24,40
A001-16SSCT03	16S	1,2	16	1,72	2,60	1,65	3,20	22,25
A001-16SCT03*	16	1,2	16	1,72	2,60	1,65	3,20	25,80
A001-20SSC-7,5 T03**	20S	0,4	24-26	0,75	1,55	1,00	2,00	20,37

Shell Sizes 8 through 18 use the shorter contacts, designated as 16S and 20S

* Consult the factory

** On demand

- All crimp connectors include contacts.

Connitek

CKM CONNECTORS
MIL-C-5015 POWER AND SIGNAL THREADED CONNECTORS FOR RUGGED MILITARY AND INDUSTRIAL APPLICATIONS

RoHS compliant

Connitek

CKP CONNECTORS
MIL-C-26482 HIGH DENSITY SIGNAL BAYONET CONNECTORS FOR RUGGED MILITARY AND INDUSTRIAL APPLICATIONS

RoHS compliant

Connitek

CKB CONNECTORS
MIL-C-5015 REVERSE BAYONET POWER AND SIGNAL CONNECTORS FOR HARSH ENVIRONMENTAL APPLICATIONS

RoHS compliant

Connitek

CONNETTORI PNEUMATICI ED ELETTROPNEUMATICI

RoHS compliant

Connitek

CONNETTORI PER ALTE TEMPERATURE
CARATTERISTICHE TECNICHE IN ACCORDO ALLE NORME MIL-DTL-5015, MIL-DTL-26482 E VG95234 PER TEMPERATURE FINO A 250 °C

RoHS compliant

Connitek

SERIE CKV
CONNETTORI METRICI PER IMPIEGHI GRAVOSI ED ELEVATE PRESTAZIONI

RoHS compliant

Connitek

SERIE CKGE
CONNETTORI DI POTENZA VG96929 E VG95234 COMPATIBILI

RoHS compliant

Connitek

SERIE CKZ
CONNETTORI CIRCOLARI AD ELEVATE PRESTAZIONI

RoHS compliant

Connitek

SERIE CKO
CAVI TRASMISSIONE DATI AD ELEVATE PRESTAZIONI

RoHS compliant

INDEX

Section 1 : Technical References

Introducing CKP Connector Series	page 1
Technical Data	page 2
Contacts Electrical characteristics	page 3
Insert arrangements tables	page 4
Insert arrangements Front view of Pin Inserts	page 5

Section 2: Classes and Styles

How To Order	page 7
Classes and Styles	page 8
CKP00A	page 10
CKP00A...CGM	page 10
CKP00A...SR	page 11
CKP00E..SR	page 11
CKP00E	page 11
CKP00W	page 12
CKP00J	page 12
CKP00A...PG	page 13
CKP00M	page 13
CKP01A	page 14
CKP01A...CGM	page 14
CKP01A...SR	page 15
CKP01E..SR	page 15
CKP01E	page 15
CKP01W	page 16
CKP01J	page 16
CKP01A...PG	page 17
CKP01M	page 17
CKP02A	page 18
CKP02Y.....	page 18
CKP07A	page 19
CKP07Y	page 19
CKP07E	page 20
CKP02PP	page 20
CKP06A	page 21
CKP06A...CGM	page 21
CKP06A...SR	page 22
CKP06E..SR	page 22
CKP06E	page 22
CKP06W	page 23
CKP06J	page 23
CKP06A...PG	page 24
CKP06M	page 24
CKP08A	page 25
CKP08A...CGM	page 25
CKP08A...SR	page 26
CKP08E..SR	page 26
CKP08A...PG	page 26
CKP08M	page 27
CKP26A	page 27

INDEX

Section 3 : Accessories

Panel Requirement - Flange Plug Connector	page 28
Accessories - How To Order	page 29
CKP02...C - Receptacle Cap	page 29
CKP06...C - Plug Cap	page 29
3057-A - General Duty Cable Clamp	page 30
3057-C - Environmental Cable Clamp	page 30
3420 - Neoprene Sleeves	page 31
3420-A - Neoprene Sleeves	page 31
A096 - Flange Mounting Gasket	page 32
90376...R - Receptacle Plastic Cap	page 32
90376...Y - Plug Plastic Cap	page 32
A001...PC - Pin Crimp Contacts	page 33
A001...SC - Socket Crimp Contacts	page 33
Other Connectors and Products	page 34
Index - Section 1 and 2	page 35
Index - Section 3	page 36



Connectors and Accessories

Huge Connectors Experience

Deep Industrial Market Knowledge

Really Customer Oriented

CONNITEK S.r.l.

Via Puccini, 26

40055 - Villanova di Castenaso

Bologna - Italy

Tel.: +39 051 / 4380258

Fax.: +39 051 / 4380259

e-mail: sales@connitek.it

www.connitek.it

CONNITEK S.r.l. Authorized Reseller